



HS SIDE LOADER SPEEDLINE CWS

SEPARATING COLLECTION
AND TRANSPORT.

HS SPEEDLINE: MADE-TO-MEASURE COST-EFFECTIVE COLLECTIONS.



The highest efficiency for any operation: The Speedline CWS HS side loader impresses both local authorities and private waste management companies, due to its powerful performance and intelligent design.

The robust design, high payloads and customised equipment are what make the HS side loader systems so successful.

Unique: Separation of collection and transport. A consistent waste disposal system with uniform interchangeable containers and automatic loading of large waste containers from 60 – 1,100 l. Whether you operate single person collection operations or a full crew – the Speedline CWS will always prove its worth as a high quality, efficient solution for your waste collection operations.

ABOUT HS FAHRZEUGBAU GMBH

HS Fahrzeugbau GmbH is our specialist subsidiary for the manufacture of cutting-edge waste & recycling collection vehicles. They combine more than 100 years of experience with innovation, thanks to their passion and high levels of quality. As part of the Terberg RosRoca Group, HS Fahrzeugbau are part of our strong network.

Everything from a single source: We support you with individual, integrated and cost-effective solutions – from planning, analysis and design to implementation, delivery and service.

Spare parts supply and service: Original spare parts are usually available within 24 hours subject to delivery wherever you are in the world.



OUR NEW MD4 CONTROL SYSTEM

Our MD4 controller with RAM mount saves space and is ergonomically mounted in the driver's cab without impairing their field of vision. All function parameters and event messages are clearly and comprehensibly displayed via the 7 or 10 inch touch screen (such as hydraulic oil level and target-actual bin lift speeds). The MD4 can also be accessed via Bluetooth for remote maintenance. The MD4 also enables you to retrieve saved PDF documents such as operating instructions and spare parts lists.

The MD4 controller also has the option to display visuals from IP cameras making interactive camera control possible.

SMART EQUIPMENT. CUSTOMISED OPTIONS.



INTERCHANGEABLE CONTAINERS

- compatible with DIN 30722
- Can be combined with compaction equipment
- available in lengths of 4.50 – 6 m



HSS CIRCULAR ARC BIN LIFT

- High performance with twin pick-up
- Patented close proximity lifting
- Lifting capacity up to 1,000 kg



EVOLIFT VERTICAL

- Two-stage synchronous bin lift
- Optional diamond comb lifting, or combined diamond and regular EN 840
- Lifting capacity of 500 kg



EVOLIFT GRABBER

- With two hydraulic rotary drives
- Optional diamond or comb pick-up, or combined
- Lifting capacity of 240 kg



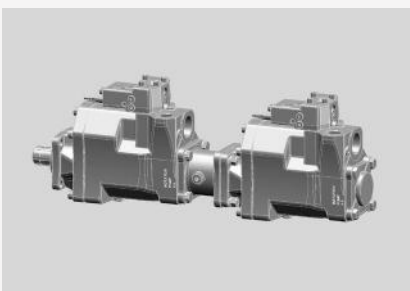
DUAL TELESCOPING

- Movement range of 2,400 mm
- Lifting capacity of 500 kg
- Accommodates 4-wheeled large waste containers at maximum reach



CONTAINER-FRIENDLY OPTIONS

- Speed control on the MD4 display
- Additional folding container support
- Dual comb with load detection

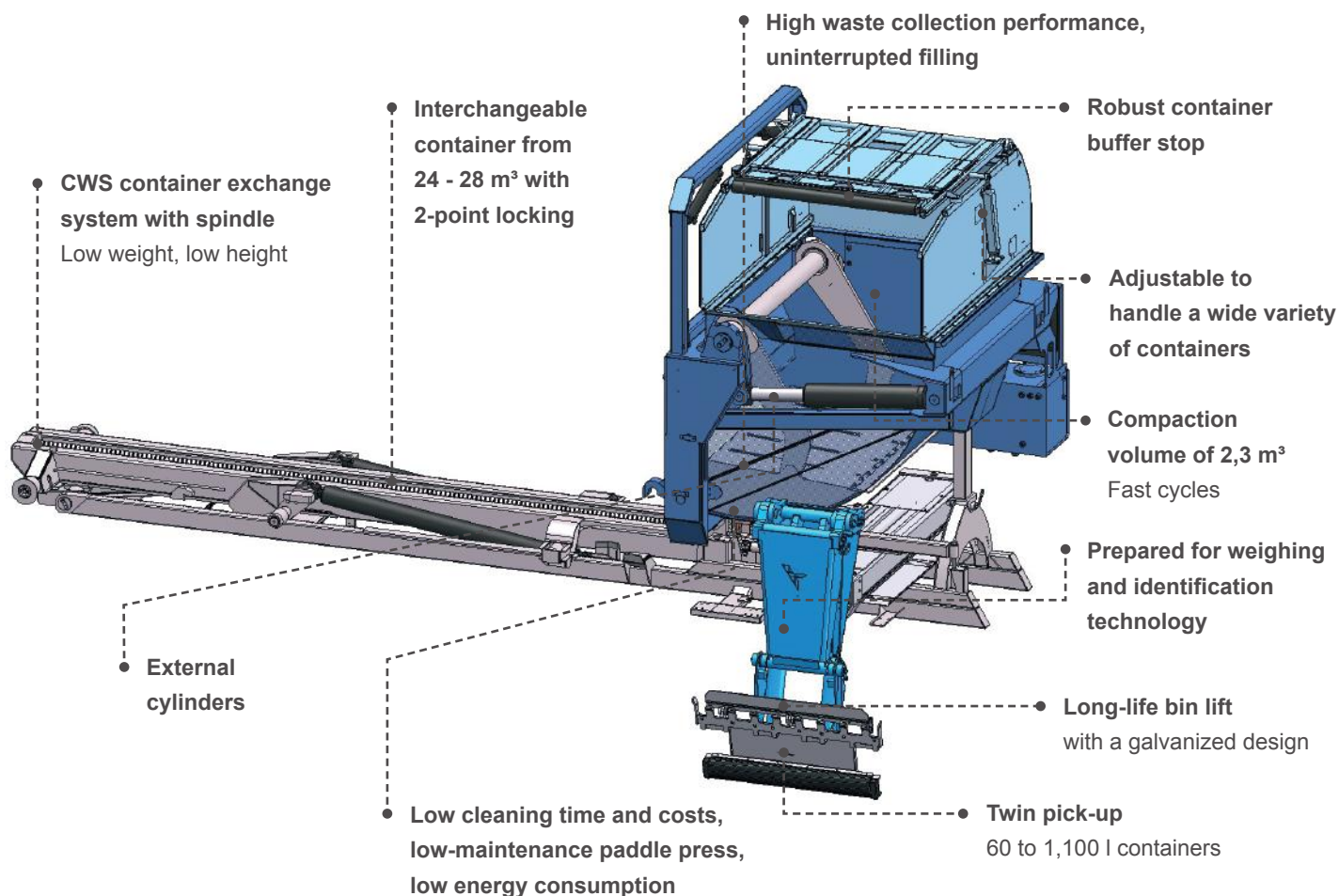


2 VARIABLE DISPLACEMENT PUMPS WITH LOAD SENSING SYSTEM

- Simultaneous operation of the compaction and bin lift functions
- Helps reduce your energy consumption
- High waste collection performance
- Enable fast operation of the bin lift system

TECHNICAL CHARACTERISTICS OF HS SPEEDLINE CWS:

With our range of side loaders, you not only get state of the art waste collection vehicles, we offer system solutions from a single source with a wealth of after-sales experience. Our side loaders are tailored exactly to your requirements – **with equipment that is optimised for your application with the very best of available technology.**



6 GOOD REASONS FOR THE HS SPEEDLINE CWS:

1. FLEXIBILITY



- Modular lifting systems with an array of container pick-up options provide fully customized handling of waste containers of 60 to 1,100 l

2. EFFICIENCY



- Single-person operation
- High payloads
- Optimised discharge operation
- Compactor volumes up to 2.3 m³
- Low whole life costs

3. WORK SPEED



- Fast lifting cycles
- High collection volumes
- Short discharge cycles
- Manoeuvrable thanks to wheel-bases from 4,200 mm

4. SAFETY



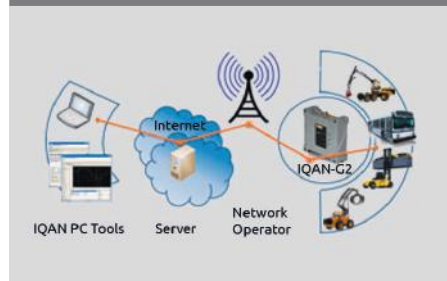
- Optional equipment available to monitor side and rear working areas
- Intelligent machine interface with well thought out programming logic
- Camera systems for to 360° viewing
- Additional remote control enables work to be performed outside of the working area

5. COMFORT



- Convenient controls with touch screen (7 or 10 inch)
- Available in left and right-hand-drive
- Sensitive joystick
- Ergonomically shaped armrests
- Quiet operation
- Automated container emptying

6. AVAILABILITY



- Requires minimal maintenance
- Remote maintenance via Bluetooth
- Full-service contracts minimise downtime
- Original spare parts available within 24 hours



Terberg RosRoca Group Ltd., Dennis Eagle, Heathcote Way, Heathcote Industrial Estate, Warwick, CV34 6TE

☎ +44 (0)1925 458 50 ✉ info@terbergrosroca.com 🐦 @Terberg_RosRoca

www.terbergrosroca.com