

## 4.1 Maintenance: general and daily

### General

Before starting with maintenance, cleaning or repair work, the following should be taken into account:

- Put the refuse collection vehicle on the handbrake.
- Before working on the tilt frame you should first secure it against sagging (hoist, struts, etc.).
- None of the installed safety features may be altered or removed under any circumstances.
- You should adhere to the maintenance interval specified by Terberg Machines B.V.

### Daily maintenance

It is recommended to clean the bin lift system after every working day.



*Before you start cleaning you must switch off the drive of the refuse collection vehicle!*



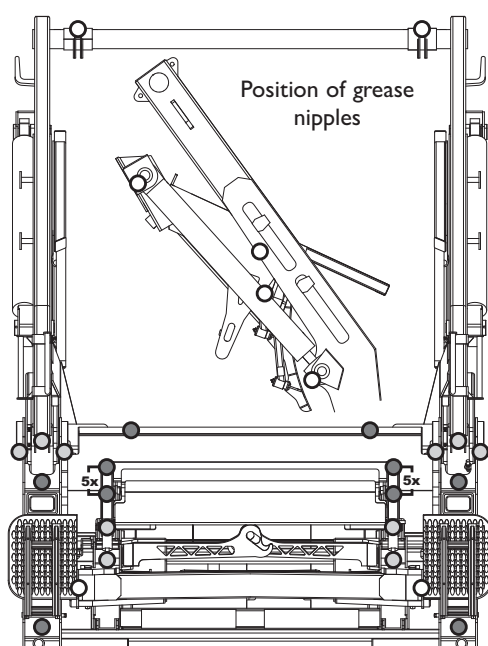
*In the interests of your safety, do not stand under the tilt frame while cleaning the bin lift system.*

- Clean the bin lift system with a high-pressure cleaner. Do not direct the spray directly at electrical components or stickers!



*Always wear safety goggles when you clean the bin lift with a high pressure cleaner.*

- Check or the footboards and the handle bars of the bin lift system are undamaged, functioning correctly and firmly mounted.



## 4.2 Maintenance: weekly

### Weekly maintenance

- **Operation of the controls (01 & 02)**  
Check the operation of all the controls by performing all the possible actions with empty bins (for information on lid opener position / bin type see Section 3):
  - Lid opener movement; fold the lid openers out and in.
  - Joysticks for lifting / lowering / tilting.
- **Clamping action of the container locking (08)**
  - Raise the pick-up comb (06) to the highest position and see if the clamping plate moves forward when the pick-up comb is nearly at the top. Approximately the last 40 mm.  
*For adjusting the clamp distance, see the 6-weekly maintenance.*
- **Functioning of the screening plate (07).**
  - Check that the screening plate turns smoothly and that its locking works properly.
- **DIN pick-up arms (09)**
  - Check that the closure lips close in the tilted position.
- **Stickers**
  - Damaged safety and instruction stickers must be replaced immediately.
- **Lubricating the bin lift system**  
The bin lift system has 38 grease nipples (see illustration below left).
  - Most of the grease nipples (●) can be reached with the tilt frame in the tilted position. The light colored (○) with the tilt frame actually in the resting position. Secure the tilt frame against sagging (hoist, struts, etc.).
  - Remove the red protective caps and clean the grease nipples. Keep adding grease until you see fresh grease between the pivots.
  - Only use approved acid-free types of grease that do not harm the bearings, such as Multifak EP2 Texaco (or equivalent).
- **Visual inspection**
  - Check the mounting and condition of the bump stops.
  - Check the bin lift for defective (curved / bent or broken) parts.
  - Check that there are no oil leaks.
  - Check the wiring for damages.



*Any faults identified must be rectified before the bin lift is taken into service.*