

6. Maintenance and cleaning

6.1 General

The following points must be acted upon before starting maintenance, repair and cleaning work:

- Apply the handbrake of the refuse collection vehicle.
- Press the emergency stop button.
- When carrying out work on lifting chairs these must be secured against dropping down (with suitable supports).
- Under no circumstances may any of the safety provisions that are fitted be removed or changed.
- The maintenance intervals prescribed by Terberg Machines B.V. must be adhered to.
- Electrical fuses may never be bridged or replaced by a fuse with a higher value.

6.2 Daily maintenance

It is recommended that the bin lift be cleaned at the end of each working day..

- It is allowed to clean the bin lift with a high pressure cleaner, however the following points need to be strictly adhered:
 - Do not spray directly on to electrical components, control stations or decals!
 - Keep enough distance between the spray lance and the bin lift (30-40 cm distance from component washing).
 - We strongly discourage the use of pressure cleaners with rotating or pulsating nozzles.
 - **When grease has been removed from moving parts by cleaning the bin lift, these points should be re-filled with grease before taking it back into service.**
- Check the footboards and handle bars of the bin lift for damage and correct working (if present).



Before you start cleaning you must switch off the drive of the refuse collection vehicle!



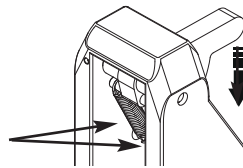
For your own safety, never stand under the chairs during cleaning of the bin lift!



Always wear safety goggles when you clean the bin lift with a high-pressure cleaner.

6.3 Weekly maintenance

- Check the correct operation of all controls by operating all functions..
 - Emergency stop switches
 - Setting of lid opener
 - Shaking
 - Automatic functions
 - Manual operating functions
- Check the action springs of the bin security switch.
- Check the operation of the Rear Protection Device.
- Check the working of the sonar sensors (start sensor, 4-wheel recognition sensor and refuse sensor).
- Check the intermediate lock (only present with option pick-up arms and Terberg TMDW weighing).
- Check the general condition of the flap attached to the hopper plate, replace it if distorted or cut.
- Damaged safety and instruction decals must be replaced immediately.



• Lubricating the bin lift system

Only use grease that is guaranteed to be acid-free and that will not attack the bearings, for example, Texaco Multifak EP2 (or equivalent).

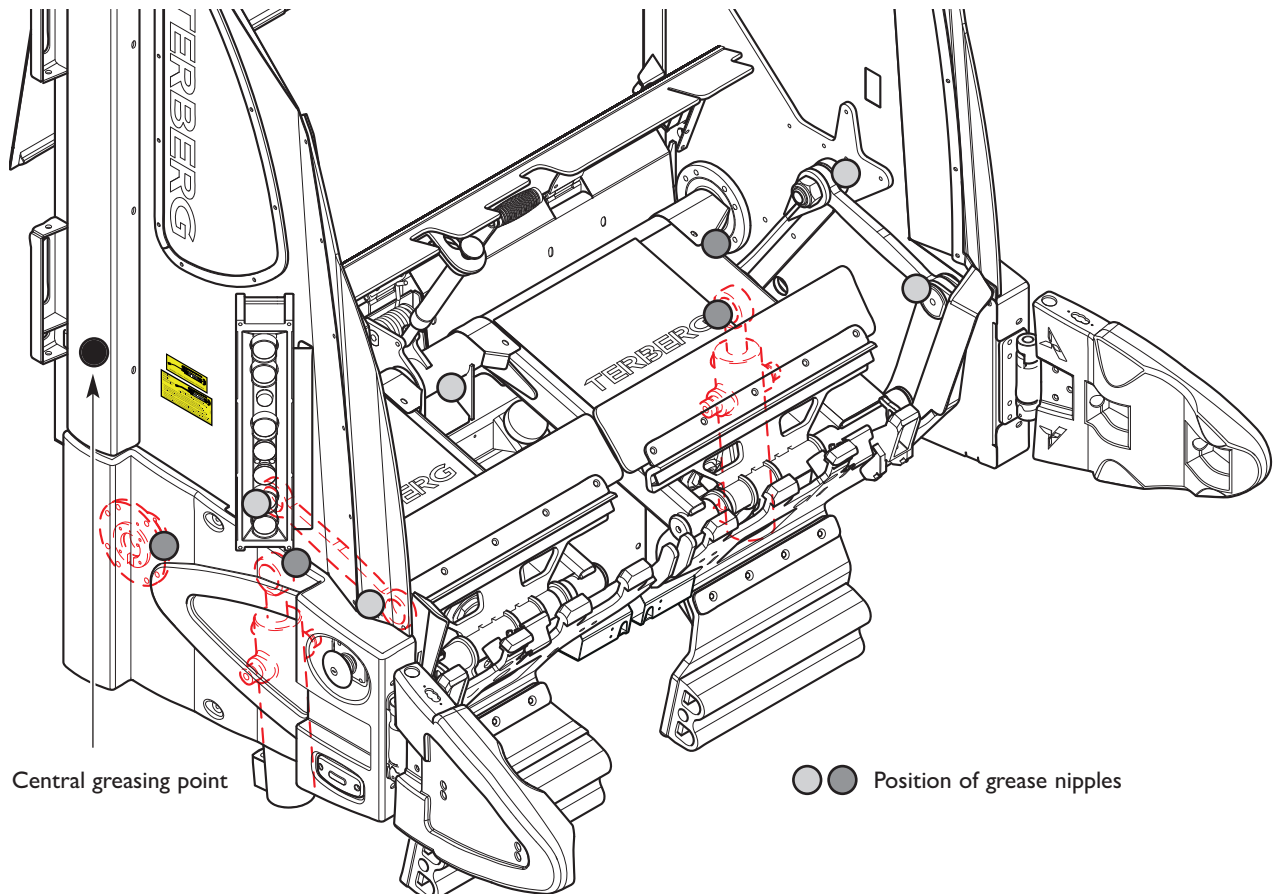
- Apply new grease to all grease points (9 pieces), see drawing next page.
- Most of the grease nipples (○) can be reached with the chairs in the lowest position.
- The four dark coloured greasing points (●) are best reached with the chairs in the tip position. The chairs must be supported safely when working under the chairs (hoist, struts, etc.).

- Remove the red protection caps of the grease nipples and clean the grease nipples.
- Apply grease until you see fresh grease between the pivot points.

Central greasing system

May be the bin lift is fitted with a centralized greasing system that supplies grease to the 9 greasing points. The central greasing point is situated on the left-hand side of the bin lift. This greasing point must be greased weekly.

- Remove the red protection cap and clean the grease nipple.
- Apply 5 squirts of grease (≥ 10 cc).



Visual checks

- Check that the teeth of the pick-up comb are aligned correctly.
- Check fixing and condition of the bump stops and protective rubbers.
- Check the dust suppression curtains for tears.
- Check the bin lift for any faulty or damaged parts.
- Check that there are no oil leaks.
- Check the wiring for any damage.



Any faults identified must be rectified before the bin lift is put into service.