



### Olympus (Non-CE) Service Manual

<b>CONTENTS</b>		<b>PAGE</b>
<b>3</b>	<b>Daily checks</b> .....	<b>3-3</b>
3.1	Daily safety checks .....	3-3
3.2	Warning labels.....	3-11





This page intentionally left blank



## 3 Daily checks

It is important that your machine is kept in good working order.

The following Daily Safety Checks must be carried out on an Olympus (Non-CE) Refuse Collection Vehicle to confirm the correct operation of the machine, its controls, safety circuits and interlocks, in addition to checks specified in the chassis manufacturer's and lifting device manufacturer's service information, before it commences service.

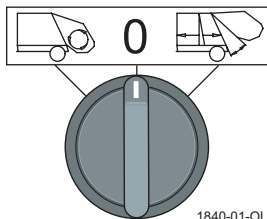
The same checks should also be carried out by service personnel whenever scheduled maintenance service procedures and inspections are carried out.

Make sure that there is no mechanical damage or wear evident in the refuse mechanism, especially in the pivoting and locking of the tailgate to the body.

Any problems must be reported to supervision immediately.

### 3.1 Daily safety checks

1. Stand the vehicle on clean, level and stable ground with sufficient clearance to allow for the tailgate and lifting device, if fitted, to be fully raised.
2. Engage the parking brakes.
3. Select Neutral 'N' on the vehicle transmission.
4. Stop the engine.
5. Turn the 'Body master' switch to 'Off'.



6. Switch the ignition off. Remove and retain the key.
7. Lock all cab doors. Remove and retain the keys.
8. Walk around the Refuse Collection Vehicle and:
  - Make sure that there is no refuse, paper or flammable materials near the engine or exhaust. These could cause a fire when the engine is started. If necessary, tilt the cab (see Chassis Manufacturer's Operator's Handbook) to make a thorough inspection.
  - Visually check level of oil in hydraulic oil tank. The float in the bottom sight glass should be at the top of the sight glass. If the level is below this report to supervision immediately and do not proceed any further with the daily inspection.

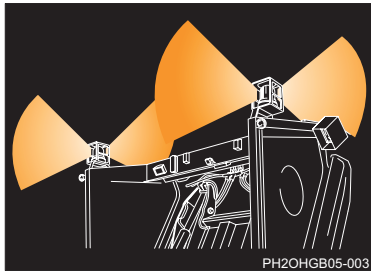


- Visually check for obvious damage to lights, warning beacons, reflectors and lenses and bodywork.
  - Check that all marking plates and warning instruction labels are complete, clean, clearly visible and readable (see "3.2 Warning labels" on page 3-11).
  - Visually check underneath the Refuse Collection Vehicle for evidence of hydraulic oil leaks from the body system hydraulic pipes.
  - Visually check the electrical harnesses and connections, hoses, pipes and other components for obvious signs of defects.
9. Enter the Refuse Collection Vehicle cab.
  10. Check that all the emergency tools, equipment and fire extinguisher are present.
  11. Check that the first aid kit is complete.

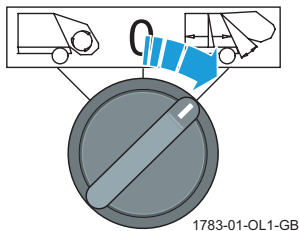


3

12. Switch the ignition on only, do not start the engine.
13. Switch on all the vehicle lights, including fog lights (if fitted).
  - Check that the lights and their associated warning lights operate to specification.
14. Operate the foot brake.
  - Check that the brake lights operate to specification.
15. Switch on the warning beacons.
  - Check that the warning beacons and their associated warning lights operate correctly.

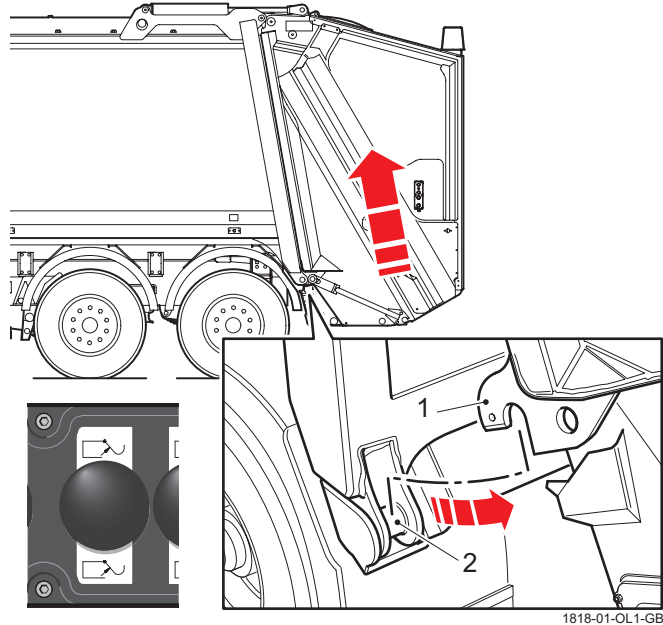


16. Make sure that the parking brake is applied and Neutral 'N' is selected.
17. Start the engine, check the warning panels and instrumentation for any indications of system malfunctions.
  - The 'Low Air Pressure' warning buzzers should not be sounding.
18. Turn the 'Body master' switch to 'Tip'.



**WARNING:**  
 MAKE SURE THAT YOU KNOW THE HEIGHT OF YOUR VEHICLE WITH THE TAILGATE AND LIFTING DEVICE, IF FITTED, RAISED.

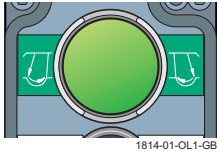
19. Press and hold the Tailgate raise push-button until the tailgate is just out of its locks and then release the push-button.
  - Tailgate should raise smoothly until it is out of the locks (hooks (1) should have disengaged from the pins (2)).



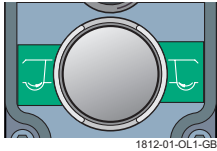
**WARNING:**  
 COMPACTION MECHANISM MAY OPERATE. MAKE SURE THAT THE TAILGATE AREA IS CLEAR OF PERSONNEL.



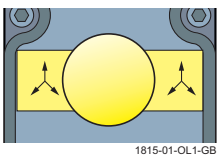
20. On each compaction mechanism control panel, press in turn the:



'Start pack cycle' push-button.



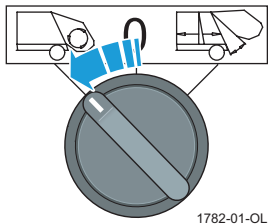
'Short cycle' push-button.



'Rescue' push-button.

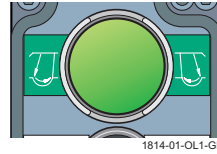
- Compaction mechanism should not operate.

21. Turn the 'Body master' switch to 'Run'.

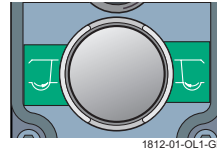


**WARNING:**  
COMPACTION MECHANISM MAY OPERATE.  
MAKE SURE THAT THE TAILGATE  
AREA IS CLEAR OF PERSONNEL.

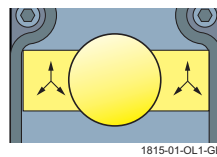
22. On each compaction mechanism control panel, press in turn the:



'Start pack cycle' push-button.



'Short cycle' push-button.



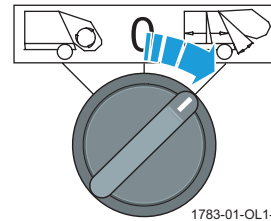
'Rescue' push-button.

- Compaction mechanism should not operate.



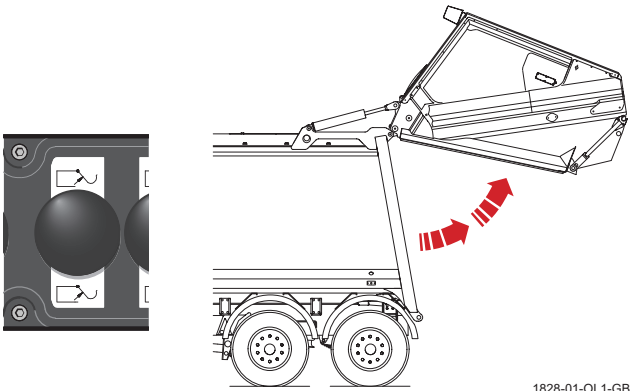
**WARNING:**  
MAKE SURE THAT YOU KNOW THE HEIGHT  
OF YOUR VEHICLE WITH THE TAILGATE  
AND LIFTING DEVICE, IF FITTED, RAISED.

23. Turn the 'Body master' switch to 'Tip'.





24. Press and hold the 'Tailgate raise' push-button.



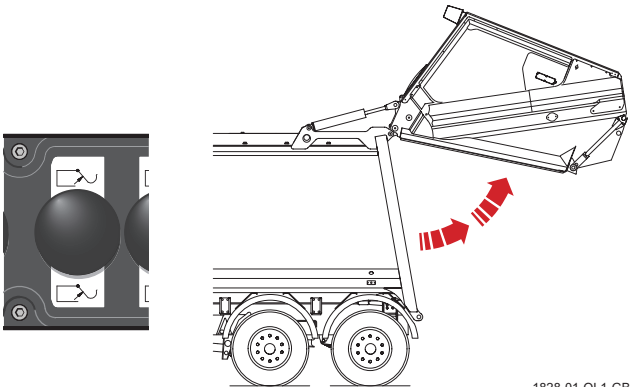
1828-01-OL1-GB

- Tailgate should rotate smoothly upwards about the hinge pins.

25. While tailgate is rising, release the 'Tailgate raise' push-button before it reaches its fully raised position.

- Tailgate should stop rising immediately the switch is released.
- Tailgate should not lower.

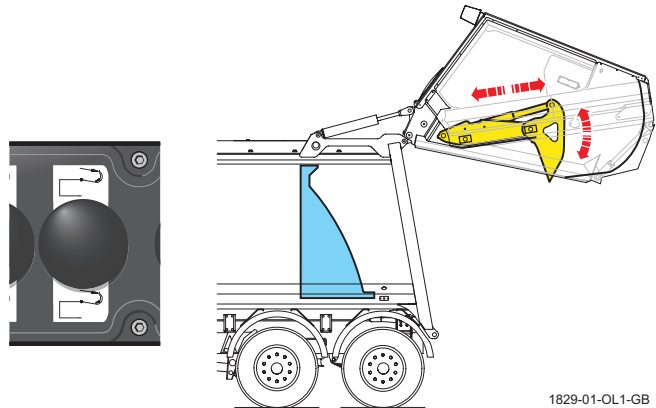
26. Press and hold the 'Tailgate raise' push-button until the tailgate is fully raised and then release the push-button.



1828-01-OL1-GB

- Tailgate should resume rotating upwards about the hinge pins until fully raised when it should stop without noticeable judder.

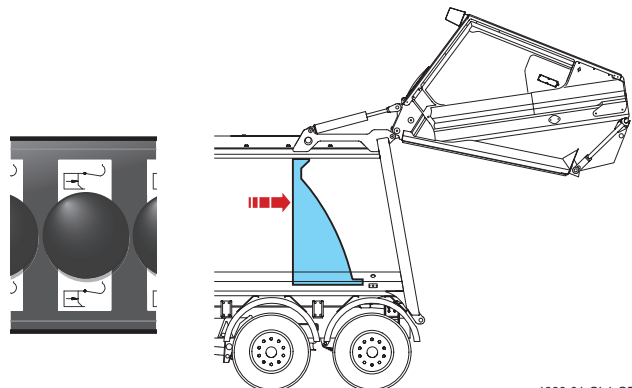
27. Press and hold the 'Tailgate tip clear' push-button until the compaction mechanism has completed one full cycle, then release the push-button.



1829-01-OL1-GB

- The packer plate should open, the carriage plate should move down, the packer plate should close and then the carriage plate should move up in one continuous sequence until fully packed.

28. Press the 'Ejector plate eject' push-button. Release the push-button when the ejection plate has reached the end of its travel.

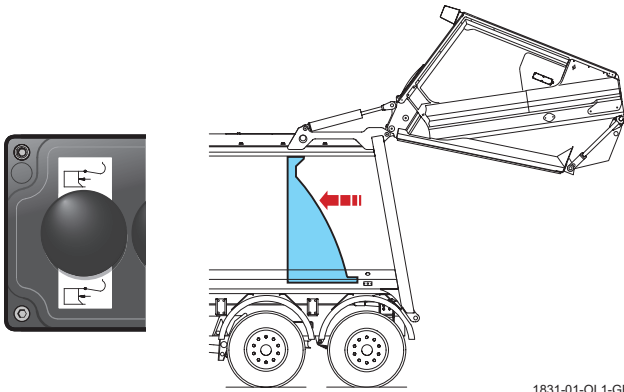


1830-01-OL1-GB

- Ejection plate should eject smoothly without judder.



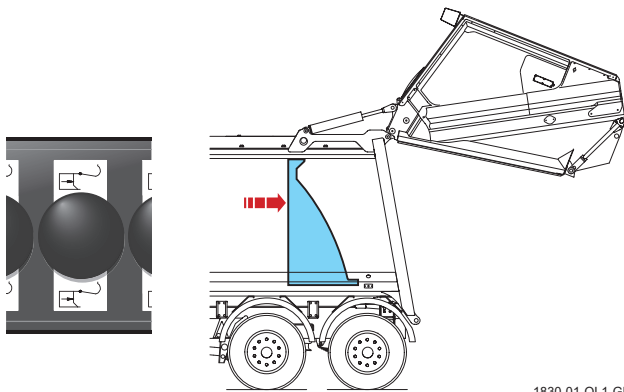
29. Press the 'Ejector plate retract' push-button. Release the push-button when the ejection plate has reached the end of its travel.



1831-01-OL1-GB

- Ejection plate should retract smoothly without judder.

30. Press the 'Ejector plate eject' push-button. Release the push-button when the ejection plate has reached the end of its travel.



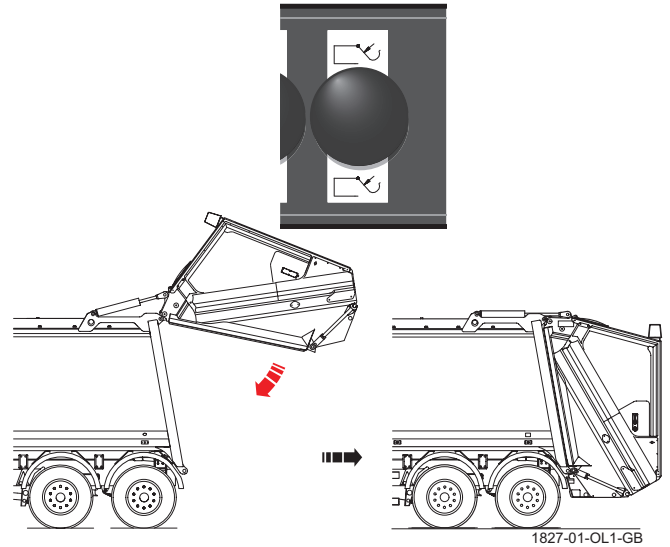
1830-01-OL1-GB



**WARNING:**  
**MAKE SURE THAT THE TAILGATE AREA IS CLEAR OF PERSONNEL.**

31. Press the 'Tailgate lower' push-button.

- Tailgate should lower smoothly without judder.



1827-01-OL1-GB

32. While tailgate is lowering, release the push-button.

- Tailgate should stop lowering immediately the push-button is released.
- Tailgate should not lower.

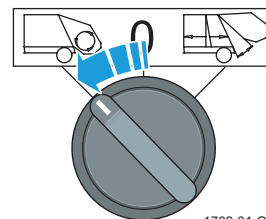
33. Press the 'Tailgate lower' push-button until the tailgate engages locks and then release the push-button.



1806-01-OL1-GB

- Tailgate should rotate smoothly downwards about the hinge pins until it engages face of body, then lower into locks

34. Turn the 'Body master' switch to 'Run'.



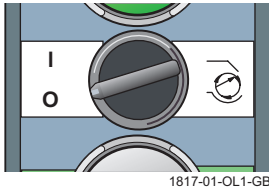
1782-01-OL1-GB



For each compaction mechanism control panel, carry out the following operations (35 - 37):

35. Check that pack cycle operates correctly.

Check that the 'Intermittent/Continuous cycle' switch is at Intermittent (O).



**Note:**

**Position I: Continuous cycle mode.**

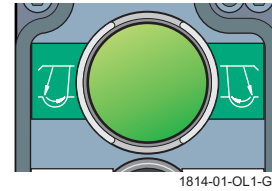
When the 'Start pack cycle' push-button is operated, the compaction mechanism operates continuously until one of the following happens:

- The vehicle hand brake is released and/or a vehicle gear is selected (dependent on vehicle chassis), when the compaction mechanism will complete the cycle and stop in the fully packed position.
- The 'Intermittent/Continuous cycle' switch is turned to position O intermittent cycle mode when the compaction mechanism will complete the cycle and stop in the fully packed position.
- An 'Emergency stop' push-button is operated, when the compaction mechanism will stop immediately.

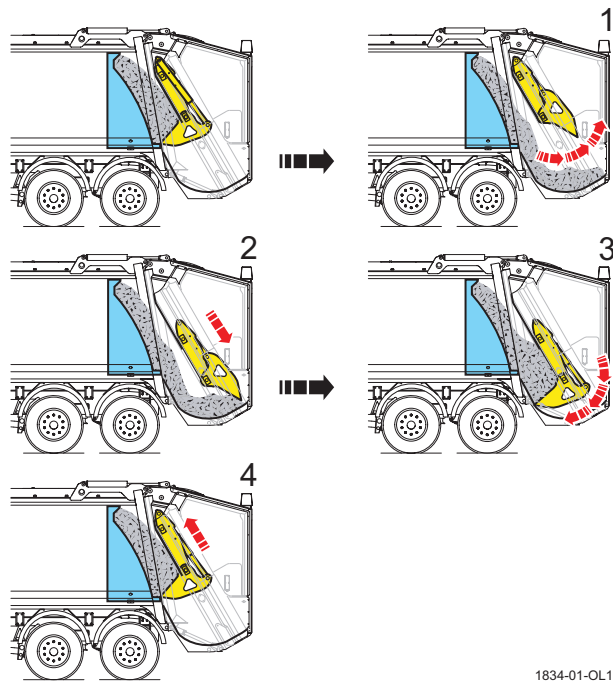
**Position O: Intermittent cycle mode.**

When the 'Start pack cycle' push-button is operated, the compaction mechanism completes a single pack cycle and stops in the fully packed position.

Press and release the 'Start pack cycle' push-button.



- Compaction mechanism packer plate should open (1), carriage plate and packer plate should move downwards (2), packer plate should close (3), carriage plate and packer plate should move upwards (4) and automatically stop in the packed position.

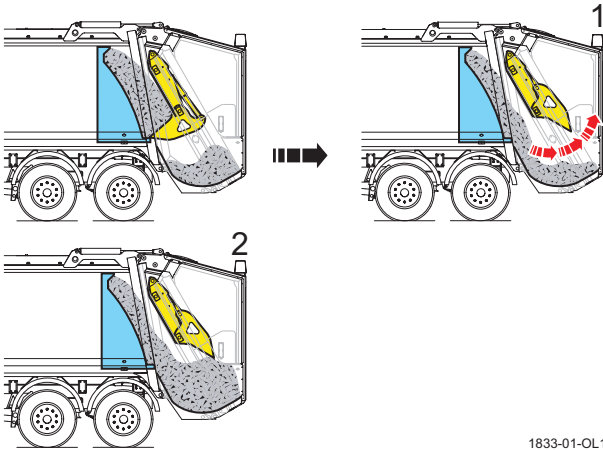






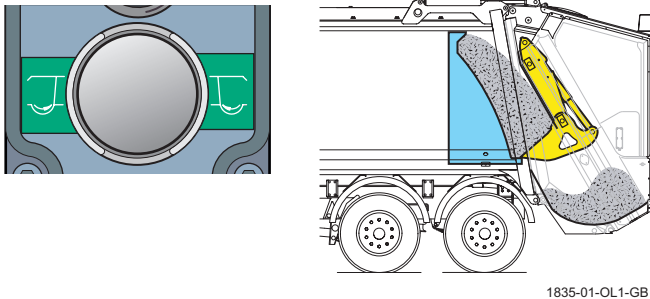
36. Press and release the 'Start pack cycle' push-button.

- Packer plate should open (1), carriage plate and packer plate should move downwards (2).

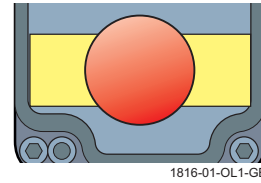


37. While the packer plate is moving downwards press and release the 'Short cycle' push-button.

- The carriage plate should stop, the packer plate should automatically close and then the carriage plate and packer plate should move upwards until the compaction mechanism is fully packed when it should stop.

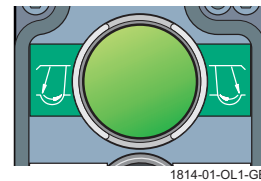


For each Emergency Stop Push-button:

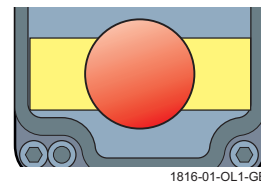


Carry out the following operations (38 - 43):

38. Press a 'Start pack cycle' push-button, to operate the compaction mechanism.



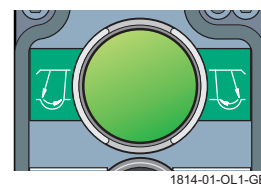
While the mechanism is operating, press the 'Emergency stop' push-button.



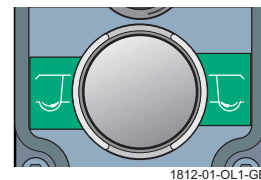
- Compaction mechanism should stop immediately.

39. On each compaction mechanism control panel, press in turn the:

'Start pack cycle' push-button.



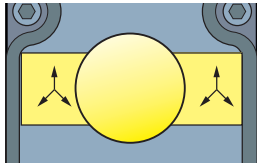
'Short cycle' push-button.



- Compaction mechanism **should not operate**.

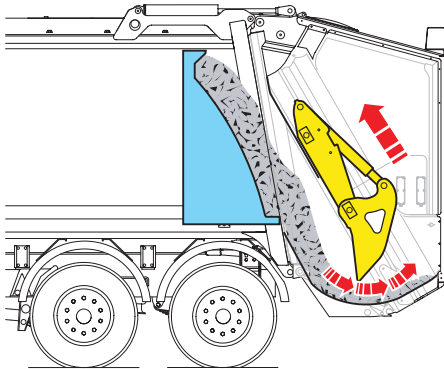


'Rescue' push-button.



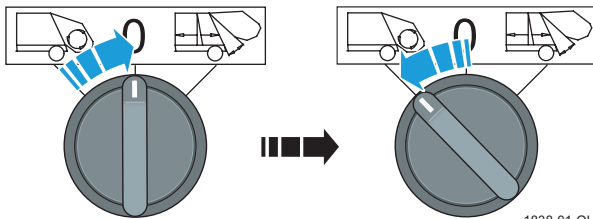
1815-01-OL1-GB

- Packer plate should open and carriage plate move upwards simultaneously until it is fully open and fully unpacked.



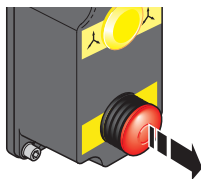
OL10HGB01-059

40. Turn the 'Body master' switch to 'Off' and then 'On' again.



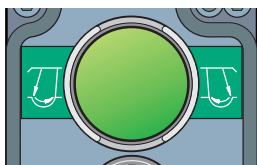
1838-01-OL1-GB

41. Pull the 'Emergency stop' push-button outwards.



1823-01-OL1-GB

42. Press the 'Start pack cycle' push-button.

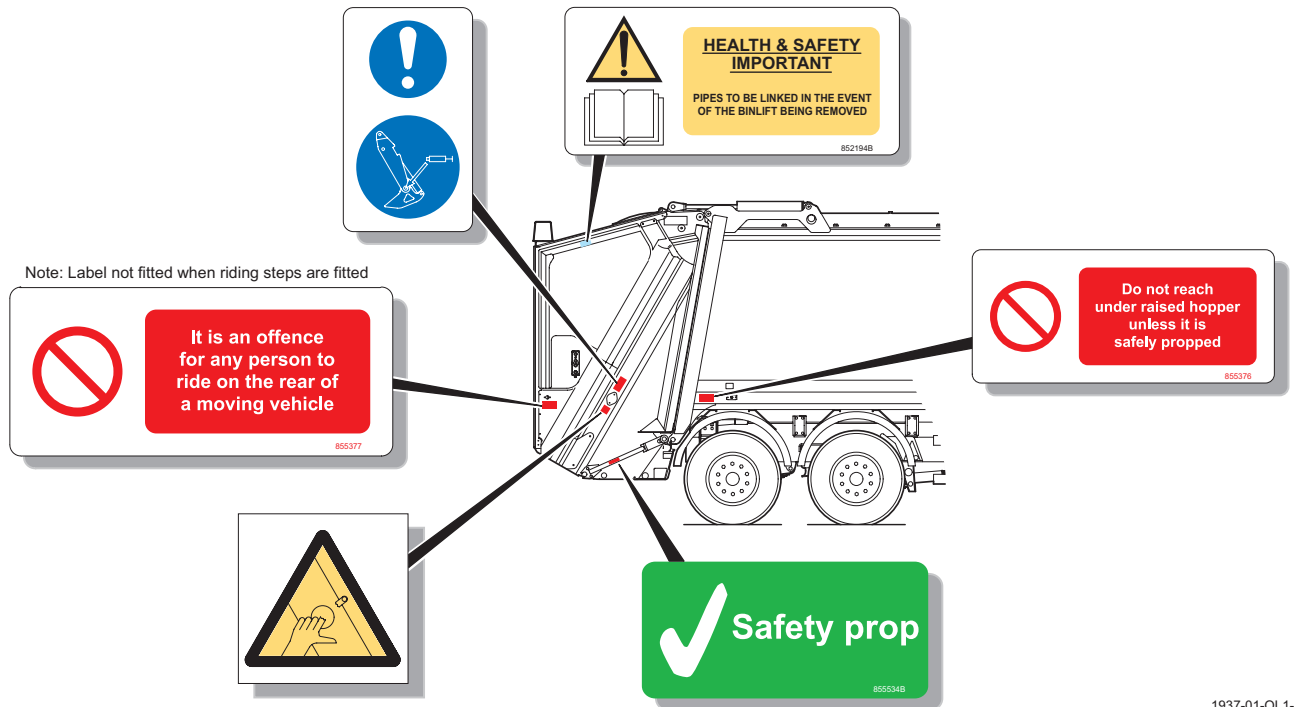


1814-01-OL1-GB

- Check that the compaction mechanism restarts and operates to specification.
43. Check level of oil in hydraulic oil tank and top up if required (See "4.1 To check hydraulic system oil level" on page 4-3).

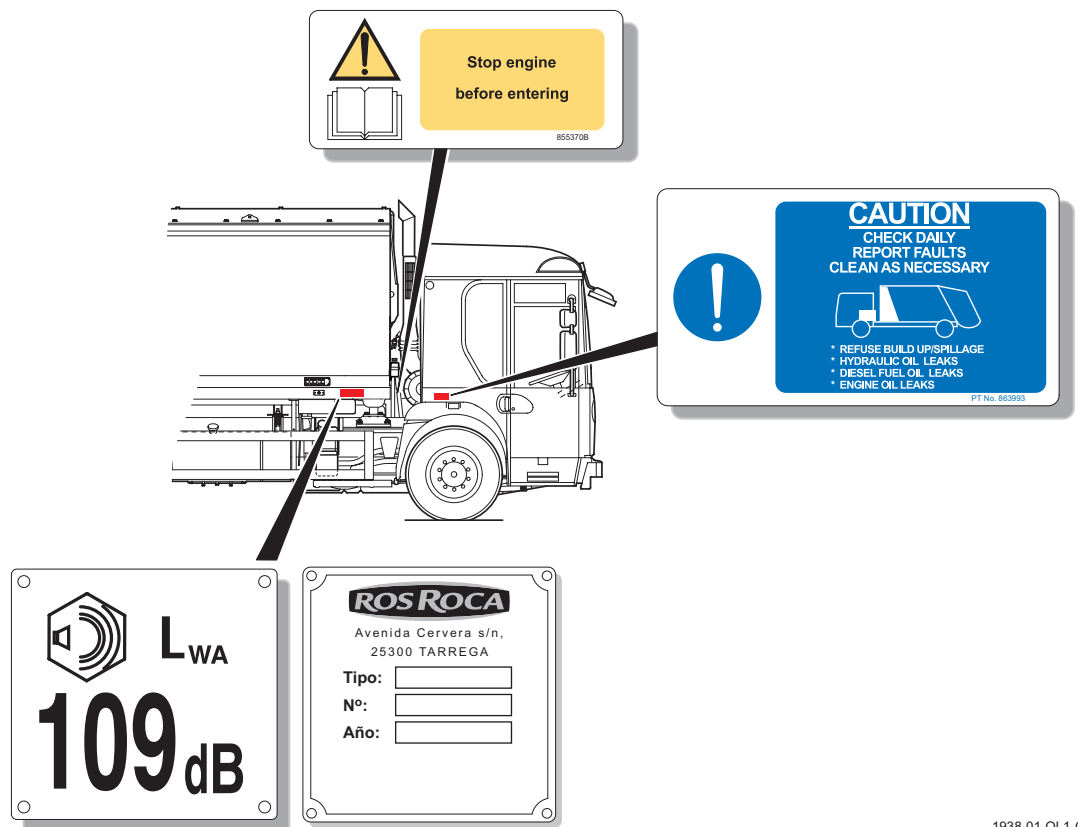


## 3.2 Warning labels



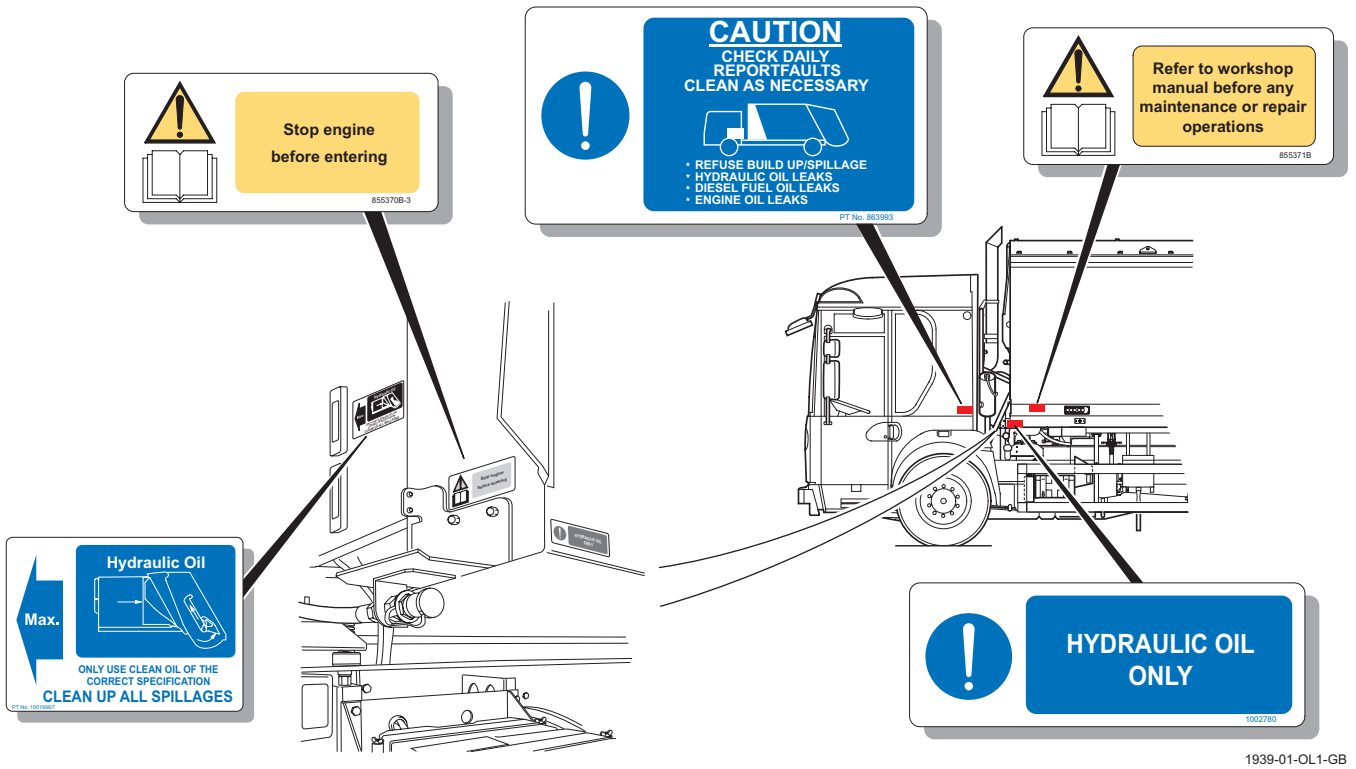
1937-01-OL1-GB

Fig. 3-1 Warning labels; right-hand rear of refuse collection bodywork



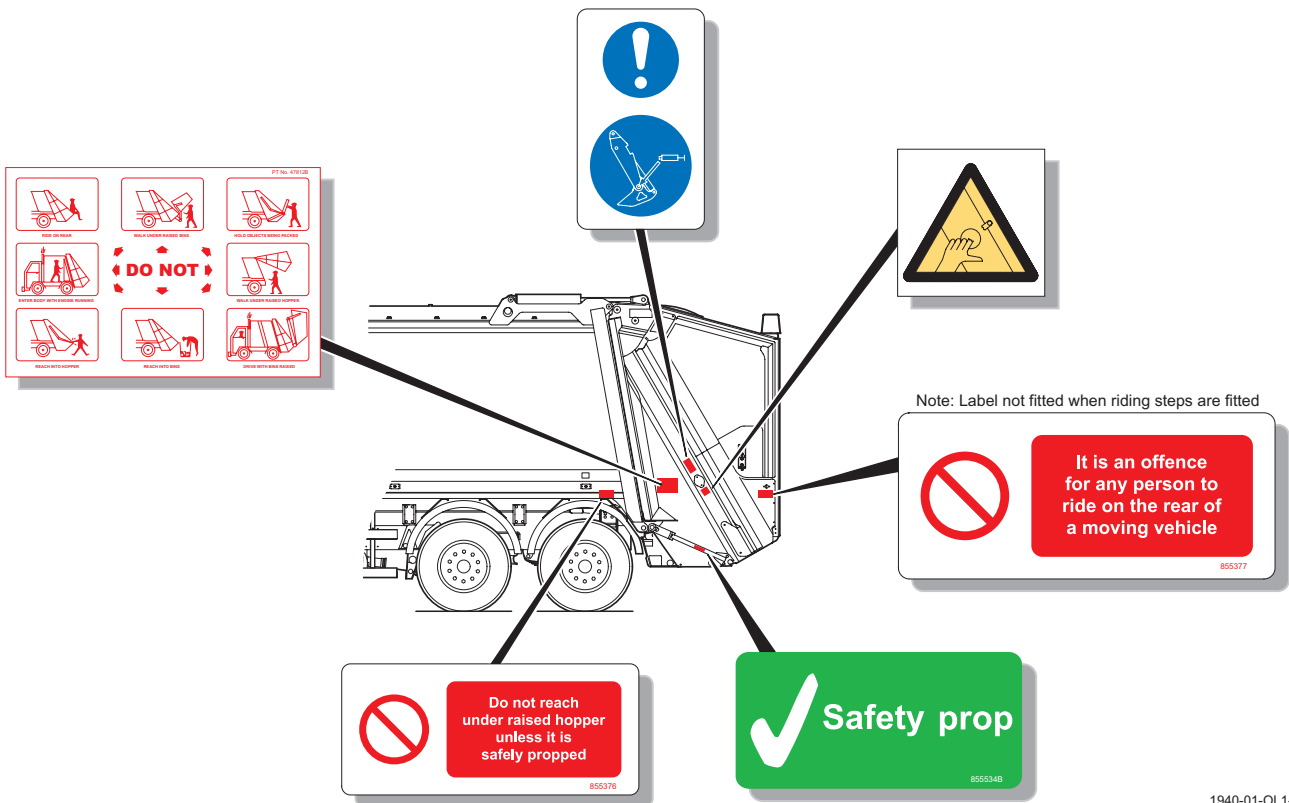
1938-01-OL1-GB

Fig. 3-2 Warning labels; right-hand front of refuse collection bodywork



1939-01-OL1-GB

**Fig. 3-3** Warning labels; left-hand front of refuse collection bodywork



1940-01-OL1-GB

**Fig. 3-4** Warning labels; left-hand rear of refuse collection bodywork

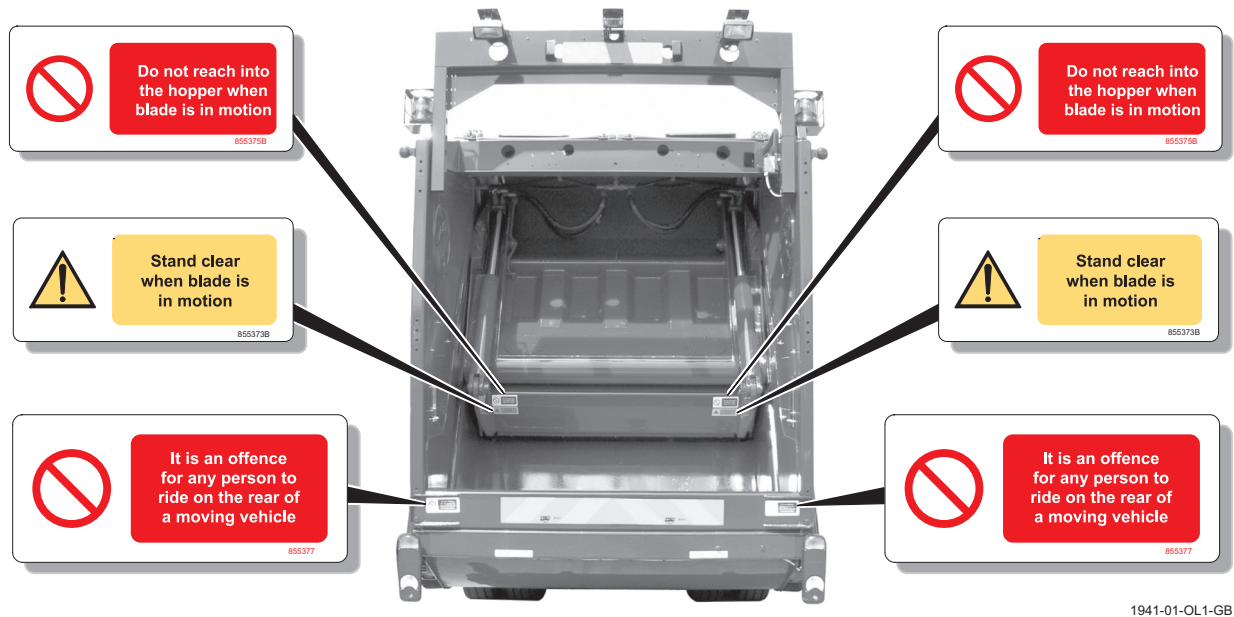


Fig. 3-5 Warning labels; rear of collection bodywork

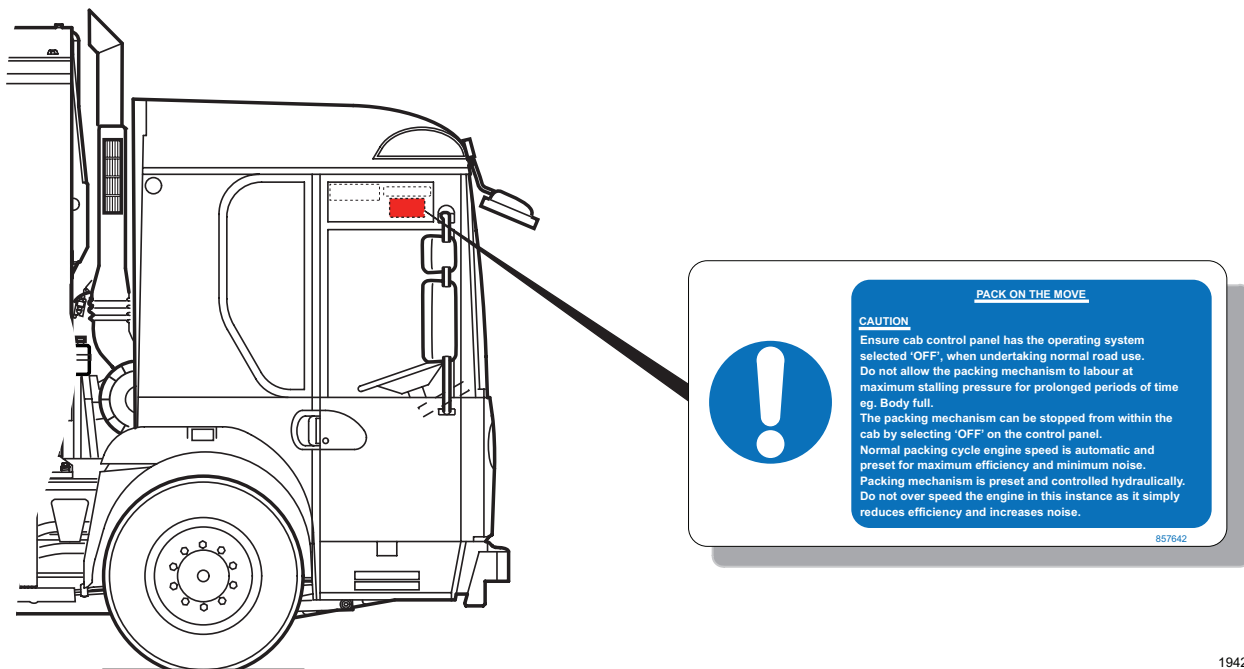


Fig. 3-6 Warning labels; cab