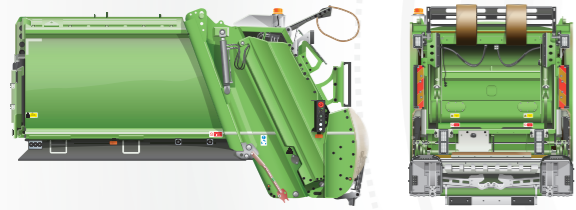


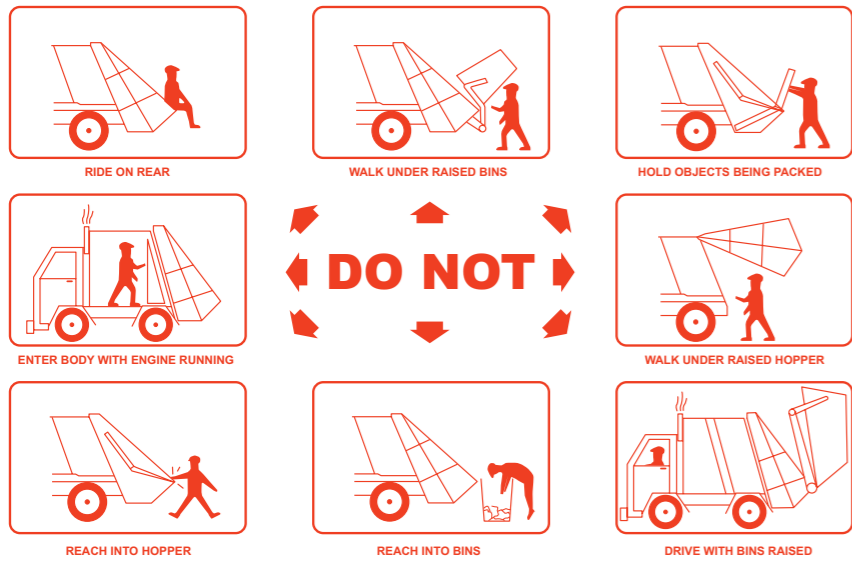
Olympus Mini Quick Reference Guide



Important

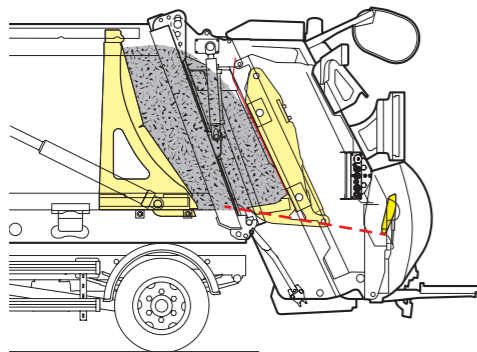
Warning: This Quick Reference Guide is intended only as a reminder of the controls and their operation. It is most important that before operating the vehicle all drivers:

- have undertaken a recognised training course in the safe operation of the vehicle.
- read, understand and observe all the instructions, warnings and cautions stated in the Olympus Mini Operator's Handbook.



Loading Refuse

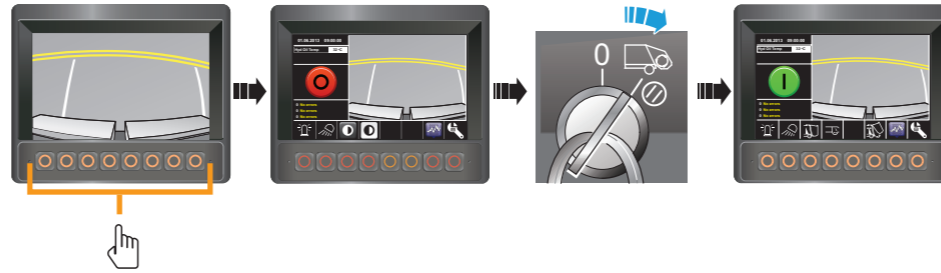
Caution: Do not overfill the hopper when loading refuse.



For detailed information, see relevant page in the;

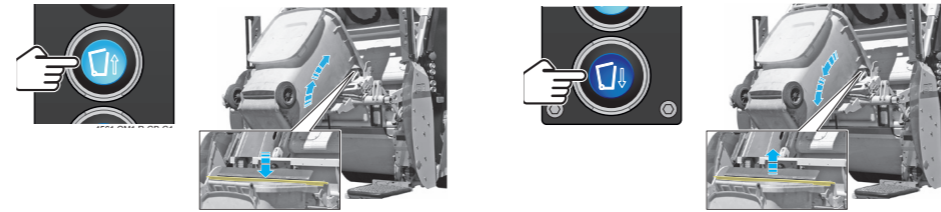
= Olympus Mini Operator's Handbook. = Olympus Mini Service Manual.

Energising the Control Panel



Waste Container Lifting Device Operation

Caution: Open the waste container lid before loading it onto the lifting device.



Open System

1. Check that the tailgate area is clear.
2. Press and release the 'Start pack cycle' push-button.
 - The packer plate will open and stop.
3. Press and hold the 'Start pack cycle' push-button.
 - The carriage plate will move downwards and then stop.
4. Press and hold the 'Start pack cycle' push-button. When packer plate starts to close, release the 'Start pack cycle' push-button.
 - The packer plate will continue to close and the carriage plate will move upwards automatically.

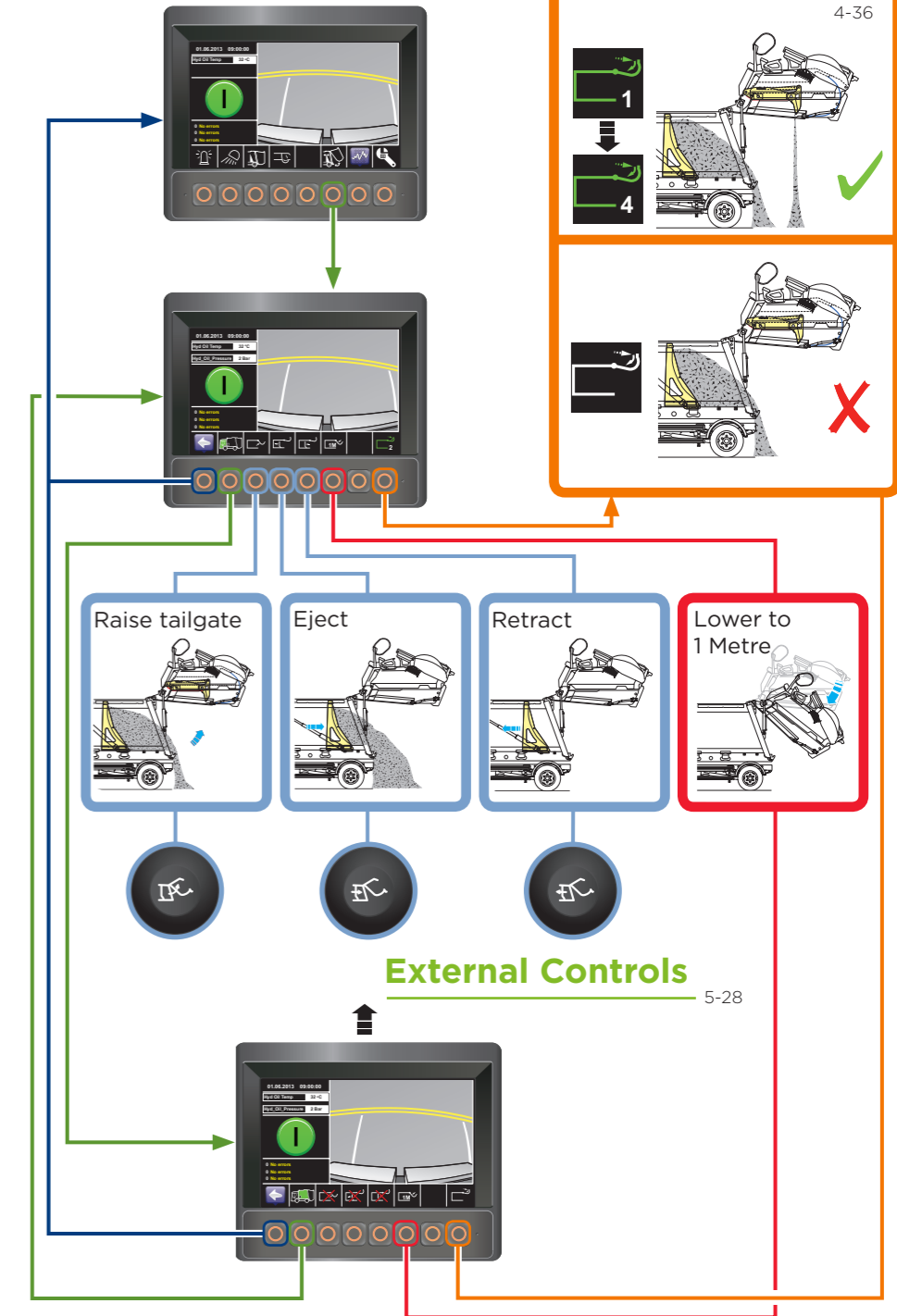
Closed System

1. Check that the tailgate area is clear.
2. Press and release the 'Start pack cycle' push-button.
 - The compaction mechanism will carry out one or more complete cycles and stop.

Discharging Refuse

Warning: MAKE SURE THAT YOU KNOW THE HEIGHT OF YOUR VEHICLE WITH THE TAILGATE AND WASTE CONTAINER LIFTING DEVICE, IF FITTED, RAISED.

Internal Controls



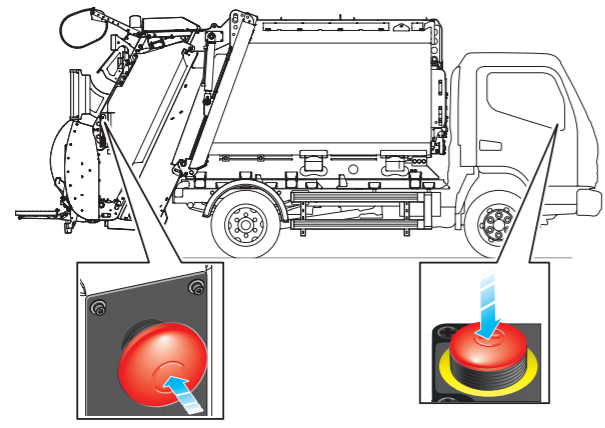
Lowering Tailgate

1. Check that the tailgate area is clear.
2. Press both push-buttons simultaneously.
 - Ejection plate will move forwards before tailgate moves downwards.

In An Emergency

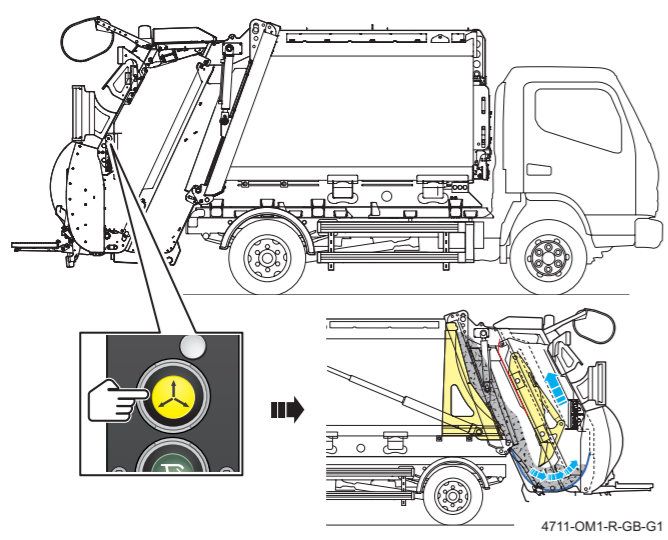
Press Any Red Emergency Stop Push-Button To Stop Machine Operating

4-44



Press Yellow Push-Button To Rescue Compaction Mechanism

4-39



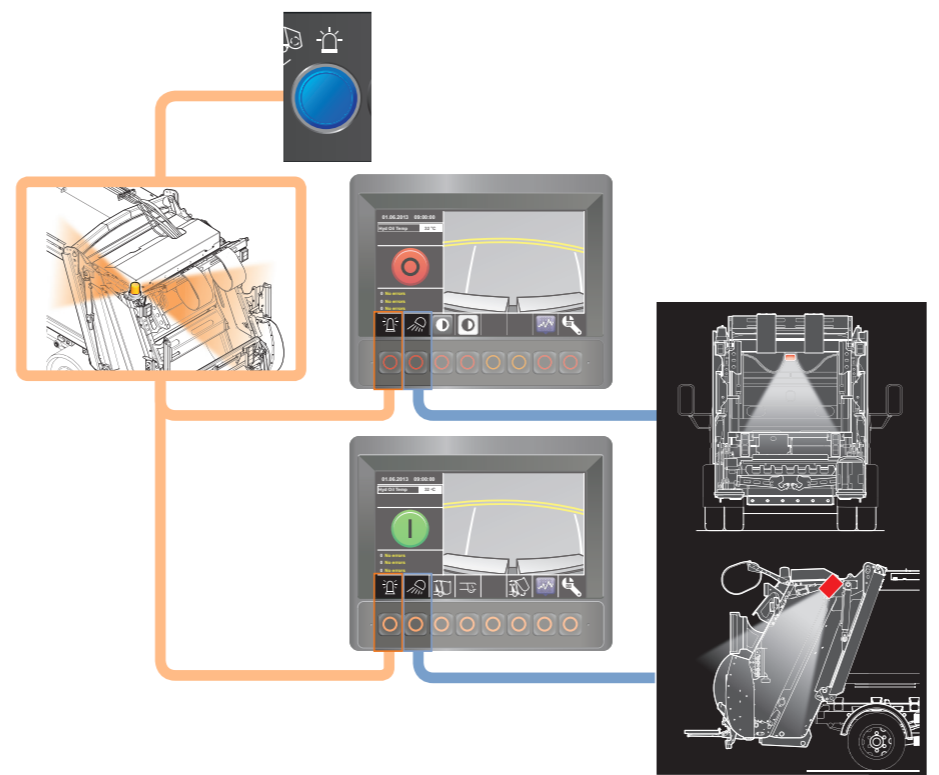
Warning Pictograms

4-11

	System off.		Hydraulic system overpressure.		Footboard interlock override switch operated.
	System on.		Control systems communication error.		Footboard interlock override switch delay timer.
	Rear view camera failed.		Control systems communication error.		Waste container lifting device low.
	Green switch failed.		System fault.		Waste container overweight for weighing system.
	Tailgate signal button operated.		Tailgate out-of-locks.		Maximum body weight sensed by body weighing system.
	Emergency stop operated.		Flashing pictogram. Tailgate position sensor fault.		Body weighing system switched 'off'.
	Rescue function.		Tailgate raised.		Hydraulic oil level low.
	Hydraulic oil hot (Temperature > 85°C).		Footboard occupied.		Hydraulic oil over temperature cut out (Temperature > 90°C).
	Hydraulic oil filter blocked.		Overriding footboard safety device.		Battery voltage low.

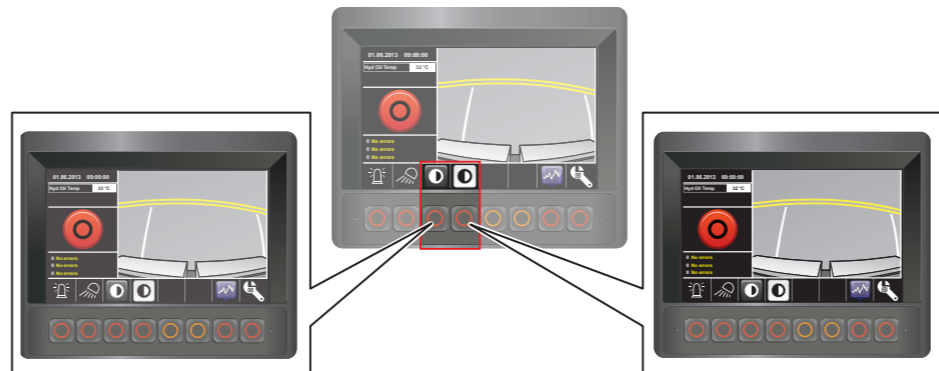
Warning Beacons

4-5, 4-21



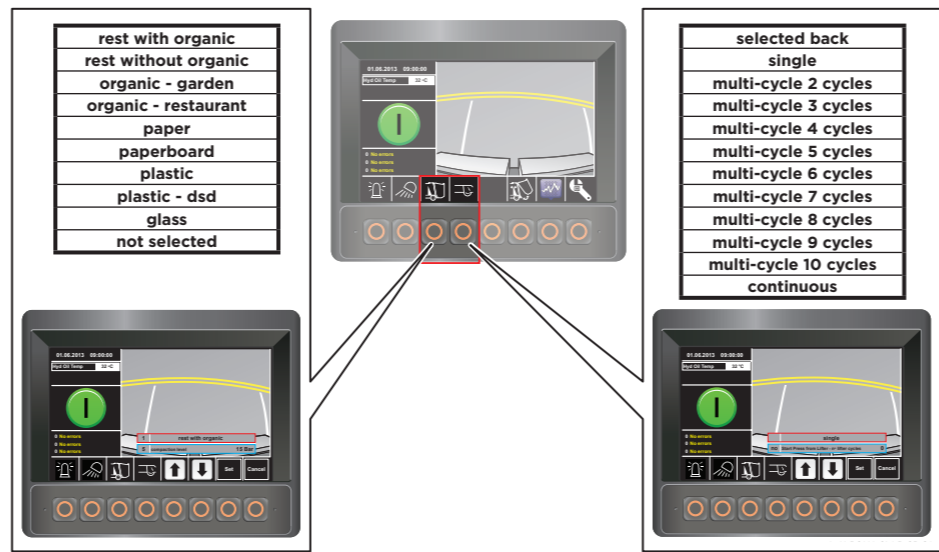
Brighten/Darken Screen

4-22



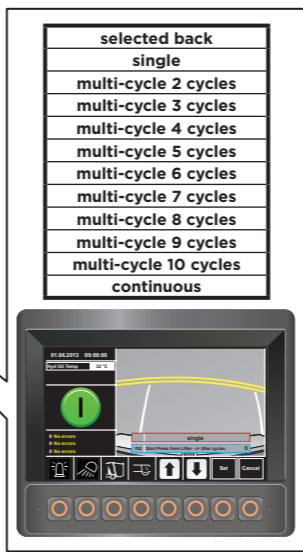
Compaction Rate

4-25



Multi-cycle

4-27

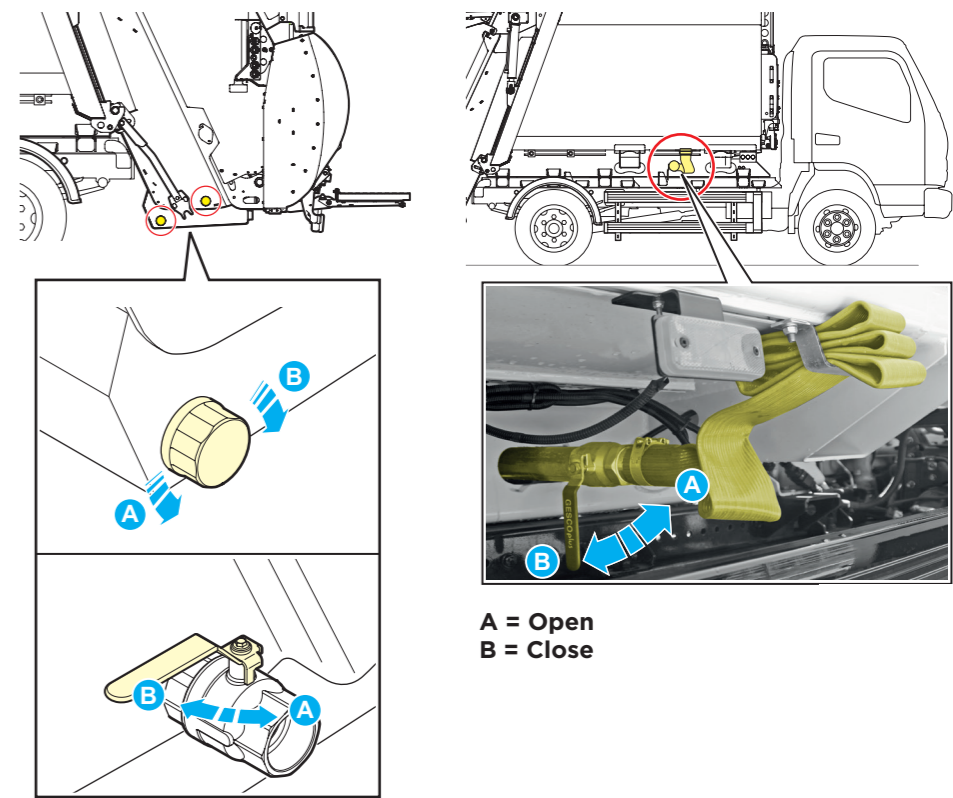


© 2015 Ros Roca S.A., AV. Cerrera, s.n., Tàrrrega, España Telephone: +(34) 973 50 81 00, www.rosroca.com All rights reserved. No part of this publication may be reproduced, stored in a retrieval system or transmitted in any form without the prior permission of the Company. OM1R-QR-GB01/June 2015

Maintenance

Drains

5-4



WARNINGS:
HIGH PRESSURE WATER JETS CAN SERIOUSLY DAMAGE ELECTRICAL EQUIPMENT.
REMOVE REFUSE WHICH HAS ENTERED BODY IN FRONT OF EJECTION PLATE.
CLEAN UP ANY OIL SPILLAGE IMMEDIATELY.

Oil Level

4-3

