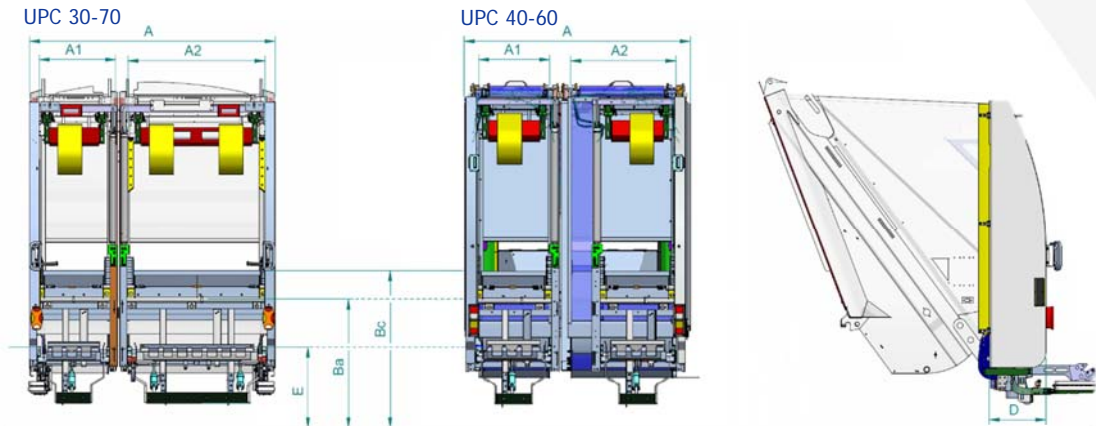


Specifications



MODEL		UPC 30-70	UPC 40-60
Collector compatibility		Olympus Twin Pack Wide	Olympus Twin Pack Narrow
Double lifter		2 independent lifters (different width): 30% (narrow) and 70% (wide)	2 independent lifters (same width): 40% (narrow) and 40% (wide) (1)
Tailgate maximum Width (mm)	A	2550	2230
Tailgate internal Width narrow / wide (mm)	A1 / A2	720 / 1370	760 / 1040
Lip clamp working Height (mm)	E	< 850	
Bin lifter overhang (mm)	D	585	
Rave rail Height folded / unfolded (mm) (2)	Ba / Bc	1290 / 1580	
Power source		Hydraulic and electric	
Hydraulic requirement flow rate narrow / wide (l/min)		32 / 48	32 / 32
Maximum operating pressure narrow / wide (Bar)		80 / 120	80 / 80
Electric requirement lifting actuators (V DC)		24	
Total lifters weight with frame, lid opener, cover catcher and folding rave rail (Kg)		1000	760
Lifting capacity narrow / wide (Kg)		160 / 500	160 / 160
Lifter cycle for 2 wheels containers (s)		11	
Lifter cycle for 4 wheels containers (s)		13	N/A
Containers compatibility (according to EN-840)	EN-840-1 (both lifters)	2 wheeled bin: 80-120-240-360 l / wide side 2 per cycle Container lifting system: front loading by comb	
	EN-840-2 (only wide)	Flat covers cont: 660-770-1100l / 1 per cycle	N/A
		Lifting system: apprehension DIN arms.	N/A
	EN-840-3 (only wide)	Curve covers cont: 770-1300 l / 1 per cycle	N/A
Lifting system: apprehension DIN arms.		N/A	
Proportional Hydraulics		Proportional electro valve (3)	
Speed ramps to soften transitions		Turn and end of stroke	
Position control		Analogic lineal transducer	
Suction pad fixation for bins and containers to the lifter		2 (4)	
Silencers in pneumatic circuit		Yes	
Safety		According to CE EN 1501.1 and EN 1501.5	

NOTE: This document and the information or advice given to the customer is merely for guidance and does not constitute any contractual obligation. Nor can any obligation, guarantees or responsibility be taken from it on the part of the company. All specifications are subject to manufacturers tolerances. An allowance of +/- 2% should be made for all weights. Additional equipment may alter dimensions and weights quoted.

- (1) Two tailgates of different sizes (40%/60% of the total) and two equal lifters (40%/40% of the total).
 (2) Chassis height of 1000mm and standard subframe (115mm).
 (3) Increases the energy efficiency, reduces the cycle time, operates with soft movements and improves the contact softness with bins and containers.
 (4) Oscillation of bins/containers causes noises, with the help of suction pads, these noises are eliminated.