



SIDE-LOADING CONTAINERS

Line of high capacity side load containers, modern and attractive design, easy to adapt to any environment. This new range incorporates a number of ergonomic improvements and several advantages, notably greater accessibility and adaptation to the different needs of the users.

SIDE-LOADING CONTAINERS

DESIGNED WITH PEOPLE IN MIND

- Ergonomic improvement from the user's point of view.
- Easy access for people with reduced mobility.
- Reduction of the height of the rail rave on the user side (1,200 mm).
- Ventilation grille in the lids of the organic waste container.
- A transversal section that permits the homogeneity of the islet.



Material improvements

- Plastic elements manufactured by injection.
- UV protection of the plastic materials.
- Metal iron fittings of carbon steel with hot dip galvanising or Top Coat zinc plating.



Maintenance improvement

- Removal of the portico lid.
- Reduction of the lid rubber to a minimum, which achieves a better aesthetic.
- Improved watertightness in the joint of the lid.
- For discharge, user lid lock with progressive system.
- Central operation pedal. This prevents the sides from being struck and the faults that arise as a consequence.
- Smooth surfaces without ribs.
- Easy access to the mechanism from the outside, even when the container is full.
- Mechanisms outside the refuse area.
- Mechanisms protected against the direct action of the washing water.
- Uniformity of bolts.

Diamond Pick-Up System

- A metal frontal receiver assembly is available for attachment to the container in accordance with DIN EN 1501-5.
- For 2.2 and 3.2 m³ capacities.

Less noise pollution

- Due to the reduced number of joints and mechanisms.
- Pedal and lever with elastomers at end stroke position and lid with delayed closing.

Customisation of the container

- Adjustable pedal for low positioning or on a level.
- User lid opening via manual lever made of carbon steel with rubber handgrip. (Optional container with lever).
- Identification of the different containers for blind people on the bottom part of the container. (Optional)
- Container centring device. (Optional)
- Housing for the TAG sensor (identification of the container).
- Screen printing.
- 2 warning/danger stickers on the corners of the bottom part of the container on the street side.
- 1 no parking sticker on the bottom part of the container on the street side.



Pedal with two height positions, which can compensate an unevenness of up to 150 mm.

Special opening lever for people with reduced mobility.

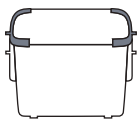
Identification of the different containers for blind people with relief on the front of the bottom part of the container.

Colours

Colour of bottom part of container

Side frame colour

Lid colour



LIGHT GREY (RAL 7038)



BROWN (RAL 8024)



BLUE (RAL 5005)



YELLOW (RAL 1018)



GREEN (RAL 6032)

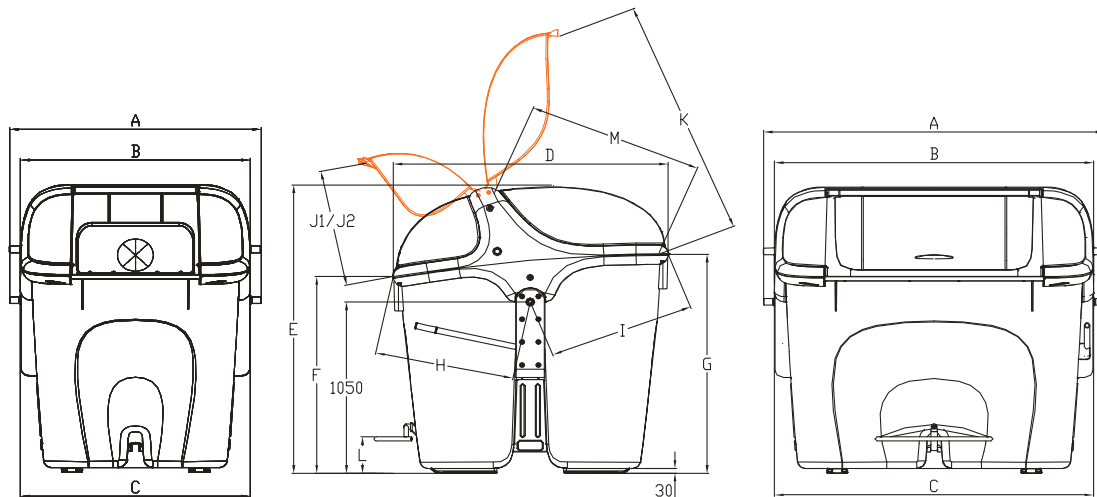
GREY
(RAL 7037)

LIGHT GREY
(RAL 7011)

Options

		Lid	Opening	Pedal	Pedal+Lever	Magnetic closing
Municipal solid waste	2.200/3.200	•		•	•	•
Organic	2.200	•	•	•	•	•
Plastic	2.200/3.200	•	•	•	•	•
Paper/cardboard	2.200/3.200	•	•	•	•	•
Glass	2.200	•	•	•	•	•

SIDE-LOADING CONTAINERS



MODEL		2.200	3.200
Nominal capacity (litres).		2.200	3.200
Nominal load (kg).		880	1.280
Total container width (mm).	A	1.380	1.880
Maximum width in upper area of container (mm).	B	1.260	1.760
Width between side boxes (mm) (lifting device).	C	1.260	1.760
Total container depth (mm).	D	1.520	1.520
Total container height (mm).	E	1.755	1.755
Height of rail rave on the user side (mm).	F	1.200	1.200
Height of rail rave on the street side (mm).	G	1.340	1.340
Distance of lifting axis to rail rave on user side (mm).	H	770	770
Distance of lifting axis to rail rave on street side (mm).	I	815	815
Height of standard pedal to the ground (mm).	L	223 ⁽¹⁾	223 ⁽¹⁾
Minimum lid opening with user pedal operation (mm).	J1	500	500
Maximum lid opening user side (mm).	J2	550	550
Maximum lid opening street side (mm).	K	1.425	1.425
Minimum discharge mouth (mm).	M	980	980
Total weight of container when empty (kg).		120	150

(1) Height of standard pedal. There is also a version with the pedal raised by 150 mm for assembly of the container at low level.

Note: As an option, it is possible to specify a special frontal receiver for a diamond pick-up system in accordance with DIN-EN 1501-5.

Environment and Legislation

Recycling the container

- Plastic components (PE and PP):
 - 82% of the total weight of the container (3200 litres).
 - 100% recyclable.
- Metal components:
 - Carbon steel with hot dip galvanising and Top Coat zinc plating.
 - 17% of the total weight of the container (3200 litres).
 - 100% recyclable.

Standards and safety

- Complies with standard UNE-EN 12574-1/2/3.
- Containers certified by accredited laboratories.
- Noise level marked in accordance with European Directive 2000/14/CE.
- Accessibility accredited by Ilunion.
- UNE-EN ISO 9001 certified in design and manufacturing.
- UNE-EN ISO 14001 certified in environmental management.
- ISO 9001, ISO 14001, ISO 50001, OSHAS 18001 and EMAS III.