



OLYMPUS

REAR-LOADER WASTE COLLECTION BODY

Olympus is a rear-loading compaction waste collection body with an elegant design and proven technology that offers outstanding quality and reliability even in the most demanding of operating conditions. Its versatility and adaptability for a range of environments makes it the best equipment on the market.

OLYMPUS REAR-LOADER WASTE COLLECTION BODY

With proven performance over many years of operation, backed by the support of a leading company in the sector, Olympus is reliable choice. Standard models combined with a wide variety of versatile options make it well-suited to many different applications.



1 Ejector plate perfectly fitted to the body.



4 Lift cylinders in the hopper roof.



5 Bio gasket seal.



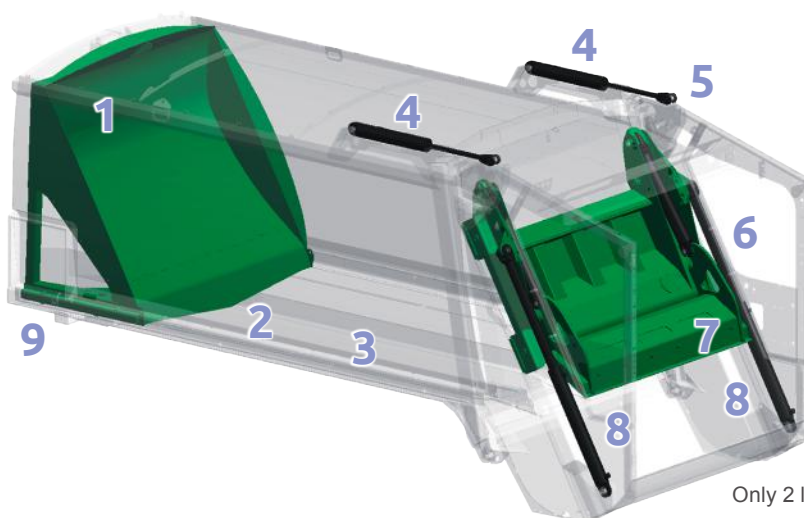
6 Minimum overhang.



7 High absorption capacity press.



8 External cylinders.



2 Leachate tank at the bottom of the body.

3 Sloped floor in the form of a keel with side ejector guides.



9 Centralised electrical panel within the water-tight easy access cab.

Only 2 lubrication points.

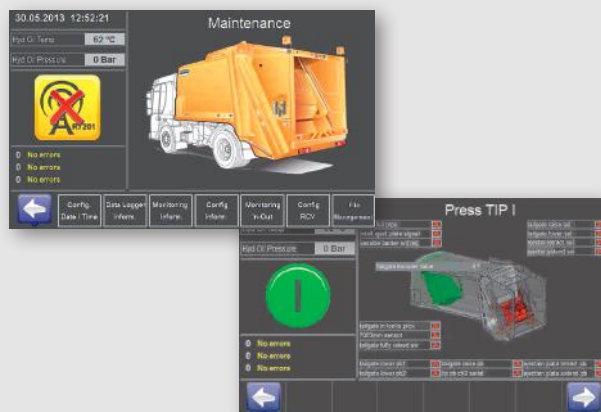
Advantages of the Olympus compaction waste collection body:

- **High compaction ratio:** 6:1
- **Cycle time:** 18"
- **Manufactured in high resistance rolled steel** giving greater resistance to abrasion and corrosion.
- Wiring system with **"Heavy Duty" connectors** (Euro 6 level).
- **Vane pumps** with low-noise level.
- **Configurable HMI display:** the majority of the equipment functions can be quickly and intuitively accessed from the cab.
- **Reduced environmental impact:** low noise level, certified at 101dB.
- **Diversity of models:** available in two widths, two heights and three hopper sizes. It can be adapted to a wide variety of applications and functions.
- **For use with our own bin-lifter technology or adapted for other commercial bin-lifters.**
- **Safety in the workplace:** equipped with automatic body and tailgate closing mechanisms, locking devices, side access door for inspection, weight footboards and ergonomic design.
- **Economical maintenance:** characterised by low maintenance costs.
- **Optionals extras:** there is a wide range of accessories and options to adapt the equipment in accordance with our customer's requirements.

Configurable HMI display:

All our Olympus waste collection models are equipped with a multi-function control monitor installed in the vehicle cab which facilitates the fully intuitive configuration of the different equipment functions:

- Tailgate, packer plate, ejector plate, bin-lifter movements and waste type are configured from the cab.
- Integration of different weighing systems shown in the same display with real-time information.
- Auto diagnostic system integrated in the display with information regarding equipment operating status. Includes alarms in the event of malfunction.
- Alarm log. The systems stores up to 2000 alarms in order to facilitate the generation of diagnostic reports.
- Configurable in any language.
- Load control from cabin if available with specified weighing system.
- Possibility to configure as a 6" rear camera screen.



OLYMPUS models

OLYMPUS N (NARROW)

Our narrow range of domestic waste collectors is especially designed for narrow environments due to its optimised dimensions with capacities ranging from 10 to 19m³ and a width of 2,23m.

OLYMPUS W (WIDE)

Our range of wide domestic waste collectors is especially designed for urban and rural environments with capacities ranging from 13 to 27m³ and a width of 2,53m. We also offer the Olympus W+ version with the same characteristics as those of the Olympus W but with greater capacity due to a slight increase in body height. This modification has enabled a 10% increase in capacity for the 3-pin chassis.

OLYMPUS HCT (HIGH CAPACITY)

Our high capacity range of domestic and semi-industrial waste collectors is especially designed for collection using satellite equipment and underground containers. Models come equipped with a high-capacity hopper with a higher load volume. The HCT model is also available in a semi-industrial version with the hopper adapted for waste collection using skip arms for industrial containers.

Specially designed bin-lifters for the OLYMPUS range

Multi-purpose UPC bin-lifter

Our multi-purpose bin-lifter for bins and containers is specially designed for domestic waste collection. The vertical movement bin-lifter features raising and lowering speed regulator with electric/hydraulic operation.

Industrial bin-lifter

Our industrial container bin-lifter uses hooks or chains with electric/hydraulic operation.

Compatible with our multi-purpose bin-lifter for bins and containers, it is specially designed for the simultaneous collection of industrial and domestic containers.

Europe bin-lifter / Europa + Winch

Our Europe bin-lifter comprises two independent charging mechanisms: a system of comb and arms for bins and containers up to 1300l and winch system mechanism for lifting large containers. As the systems are independent they can be installed together or separately.

Olympus is also designed to be adapted for bin-lifters made by different manufacturers.

Noteworthy options for OLYMPUS equipment

Ecolympus: equipped with a variable flow pump which supplies only the flow and pressure necessary for each movement, improving equipment performance.

Pack on the move: allows body to finish packing cycle whilst travelling.

Hopper for underground containers: the hopper may be adapted to facilitate the unloading of underground or igloo containers by means of a crane, which can be located above the body or between the body and the cab.

Unloading of satellites: equipped with a device that facilitates the unloading of satellite equipment into an Olympus waste collector.

Green Mode: option that facilitates the cancellation of the retention strength of the ejector plate for the collection of cardboard or pre-compacted refuse.

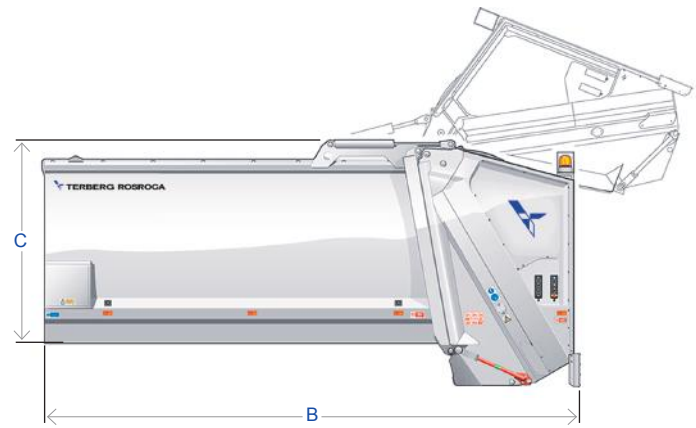
Washing equipment for the periodic cleaning of containers or pavements using high-pressure water (15l/min and 120 kg/cm²).

Electromagnetic clutch.

In addition to the previously indicated options, the Olympus range is characterised by the versatility with which it can incorporate innovative solutions. For more information, please contact our sales department.



OLYMPUS REAR-LOADER WASTE COLLECTION BODY



| Capacity (m ³) | Wheel bases (mm) | A Width (mm) | B Length (mm) | C Height (*) (mm) | Hopper volume (**) (m ³) | GVW | | | | | | | | | | |
|----------------------------|------------------|--------------|---------------|-------------------|--------------------------------------|-----------|-------|-----|-----|-----|-----|-----|-----|-----|-----|-----|
| OLYMPUS N | | | | | | | | | | | | | | | | |
| OL10N | 10,3 | 3100-3200 | 4725 | 2490 | 1,2 / 2,8 | 16 | (1) | (1) | (1) | - | - | - | | | | |
| OL11N | 11,3 | 3400-3500 | 4975 | | | 16 | (1) | (1) | (1) | - | - | - | | | | |
| OL12N | 12,5 | 3700-3800 | 5275 | | | 16 | (1) | (1) | (1) | - | - | - | | | | |
| OL14N | 13,6 | 3800-3900 | 5525 | | | 18-19 | (1) | (1) | (1) | - | - | - | | | | |
| OL16N | 16,0 | 4500-4600 | 6175 | | | 18-19 | (1) | (1) | (1) | - | - | - | | | | |
| OL19N | 18,6 | 3800-4000 | 6775 | | | 26 | (1) | (1) | (1) | - | - | - | | | | |
| OLYMPUS W/W+ | | | | | | | | | | | | | | | | |
| OL13W | 13,0/ - | 3400-3500 | 4975 | 2530 | 2490/2700 | 1,3 / 3,2 | 16 | (1) | (1) | (1) | - | - | - | | | |
| OL14W | 13,7/ - | 3600-3700 | 5125 | | | | 16 | (1) | (1) | (1) | - | - | - | | | |
| OL16W | 15,6/ - | 3800-3900 | 5525 | | | | 18-19 | (1) | (1) | (1) | - | - | - | | | |
| OL17W | 16,6/ - | 4100-4200 | 5725 | | | | 18-19 | (1) | (1) | (1) | - | - | - | | | |
| OL19W | 18,6/20,3 | 3300-3400 | 6175 | | | | 26 | (1) | (1) | (1) | - | - | - | | | |
| OL20W | 20,0/21,8 | 3500-3600 | 6475 | | | | 26 | (1) | (1) | (1) | - | - | - | | | |
| OL21W | 21,4/23,4 | 3800-4000 | 6775 | | | | 26 | (1) | (1) | (1) | - | - | - | | | |
| OL23W | 23,2/25,4 | 4100-4200 | 7175 | | | | 26 | (1) | (1) | (1) | - | - | - | | | |
| OL25W | 25,6/28,0 | 4500-4600 | 7675 | | | | 26 | (1) | (1) | (1) | - | - | - | | | |
| OL27W | 26,5/29,0 | to consult | 7875 | | | | 32 | (1) | (1) | (1) | - | - | - | | | |
| OLYMPUS HCT | | | | | | | | | | | | | | | | |
| OL13HCT | 13,4 | 3400-3500 | 5275 | 2530 | 2490 | 1,5 / 3,5 | 16 | (1) | (1) | (1) | - | - | - | | | |
| OL14HCT | 16 | 3600-3700 | 5425 | | | | 16 | (1) | (1) | (1) | - | - | - | | | |
| OL16HCT | 15,9 | 3800-3900 | 5825 | | | | 18-19 | (1) | (1) | (1) | - | - | - | | | |
| OL17HCT | 16,9 | 4100-4200 | 6025 | | | | 18-19 | (1) | (1) | (1) | (4) | - | - | | | |
| OL19HCT | 19 | 3300-3400 | 6475 | | | | 26 | (1) | (1) | (1) | (4) | - | - | | | |
| OL20HCT | 20,3 | 3500-3600 | 6775 | | | | 26 | (1) | (2) | (1) | (2) | (1) | (2) | (4) | (3) | (3) |
| OL21HCT | 21,7 | 3800-4000 | 7075 | | | | 26 | (1) | (2) | (1) | (2) | (1) | (2) | (4) | (3) | (3) |
| OL23HCT | 23,6 | 4100-4200 | 7475 | | | | 26 | (1) | (2) | (1) | (2) | (1) | (2) | - | (3) | (3) |
| OL25HCT | 25,9 | 4500-4600 | 7975 | | | | 26 | (1) | (2) | (1) | (2) | (1) | (2) | - | (3) | (3) |
| OL27HCT | 26,9 | to consult | 8175 | | | | 32 | (1) | (2) | (1) | (2) | (1) | (2) | - | (3) | (3) |

(*) Height from the chassis platform. (**) Hopper volume minimum height 1,05 m (EN 1501-1) / Hopper volume with high rave rail up. (1) UPC or multi-purpose bin-lifters made by different manufacturers. (2) Multi-purpose industrial bin-lifters. (3) Industrial bin-lifters. (4) Version with crane. The Olympus waste compactor collector is also compatible with bin-lifters made by different manufacturers.

Certifications

- Compliance with European standard EN1501-1 and EN1501-5.
- Compliance with Directive 2006/42/EC on machinery safety.
- Compliance with European standard 2000/14/EC on noise emission.
- Certificate of hydraulic fluid cleanliness in accordance with ISO 4406.
- ISO 9001, ISO 14001, ISO 50001, OSHAS 18001 and EMAS III.



Postbus 20, 3400AE, IJsselstein, The Netherlands

+31 (0) 30 68 68 700 info@terbergenvironmental.com

www.terbergenvironmental.com