



OLYMPUS EUROMAX

WASTE COLLECTION SYSTEM

The Olympus EuroMAX... synonymous with quality and reliability.

The Olympus **EuroMAX** provides a class leading waste & recycling collection solution with the capability to safely handle a wide range of containers with its robust rear mounted lift system. With maximum operational flexibility in mind, the Olympus **EuroMAX** design offers some fantastic features and efficiency savings benefits.

OLYMPUS EUROMAX



The EuroMAX from Terberg..... Maximum performance, minimal fuss.

Olympus EuroMAX > KEY FEATURES

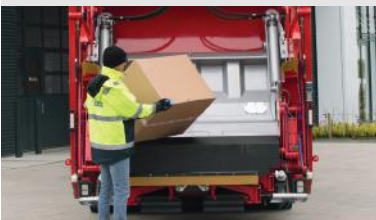
- Short overhang of 40cm to optimise weight distribution
- Steep container tipping angle ensures a full container discharge
- Hydraulically operated folding hopper plate provides full width opening
- Low rake rail which is ideal for collecting of loose bags and bulky items
- Container lid catcher mechanism cleverly designed for all containers
- Footboards and handrail system compliant with EN 1501-1
- Innovative Euro-container pick up system



Full width hydraulic Hopper plate.

Allows safe and easy loading at the press of a button.

1



Superb tip angle of 55 degrees.

The high tip angle ensures materials are discharged from containers consistently.

2



Smooth-sided one-piece construction.

Easy to clean and perfect for advertising campaigns.

3



Safe container pick

Designed with a un system for contain





Emptying

The keel shaped body floor and liquid sump are designed to allow efficient drainage and help minimise corrosion
The smooth shaped ejector plate ensures a quick discharge.



Large side mounted inspection door to the side of the refuse body.

This allows easy access for cleaning and safe maintenance work.
A foldable step with handles is optionally available.

Roof mounted hopper lift rams for opening and closing of the press mechanism.

The risk of damage is significantly reduced during emptying thanks to the roof mounted hopper lift rams and one-piece body hopper seal.



Control panel with monitor reveals all possibilities at a glance.

The driver can simply choose which function they require on screen.
Discharging of the vehicle body can be performed from the safety of the cab.



4

Technique pick-up
ers.

4



5

Optimum waste processing capacity.

The quick working press mechanism guarantees a high productivity even with larger Euro-containers.

5



6

Optimised overhang of 40 cm.

Some clever thinking with weight distribution in mind resulted in a short, optimal overhang.

6



7

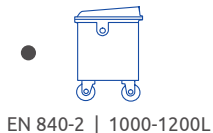
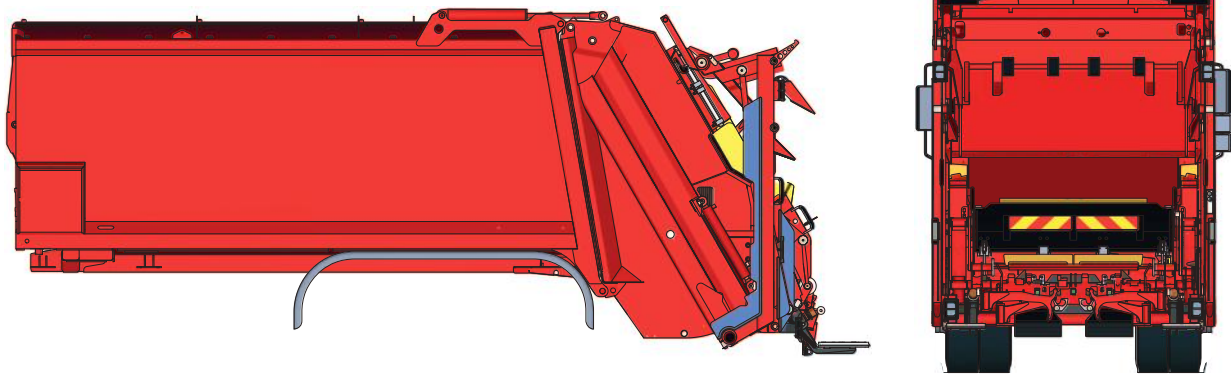
Safe standing.

The Olympus EuroMAX footboards are fully compliant with EN1501-1 to give a perfect and safe standing position.

7



OLYMPUS EUROMAX



SPECIFICATIONS

Type	OL16W	OL17W	OL19W	OL20W	OL21W	OL23W	OL27W
GVW (tonne) >	18-26	18-26	19-28	26-28	26-28	26-28	26-36
Body volume (m ³) >	17.5	18.2	20.5	21.5	23.3	25.1	28.4
Recommended wheelbase (mm) >	4050	4300	4700	4800	5300	5600	6400
Body weight (kg) >	5911	6032	6162	6220	6340	6502	6780
Body length (mm) >	5975	6065	6625	6785	7225	7625	8325

■ Also available as High Plus version

■ Volumes from 10m³ to 29m³

Olympus Press body	Width	Bin lift	
Maximum width outside dimensions (mm) >	2530	Cycle time 2 wheeled	7 (s)
Throw in width (mm) >	1800	Cycle time 4 wheeled	10/23 (s)
Volume rear loader with hopper plate at 1.050mm (m ³) >	1.5	Lifting capacity 2 wheeled	150 (kg)
Volume rear loader with hopper plate at 1.650mm (m ³) >	2.7	Lifting capacity 4 wheeled	750 (kg)
Volume hopper (m ³) >	2.8	Lifting capacity Euro-containers	2000 (kg)
Cycle time press plate (s) >	18	Hydraulic operated hopper plate	●
Processing speed (m ³ /min) >	9.2	Footboard	■

● Standard ■ Option

* Containers with different sizes on request

* All dimensions and weights with a tolerance of ± 3%